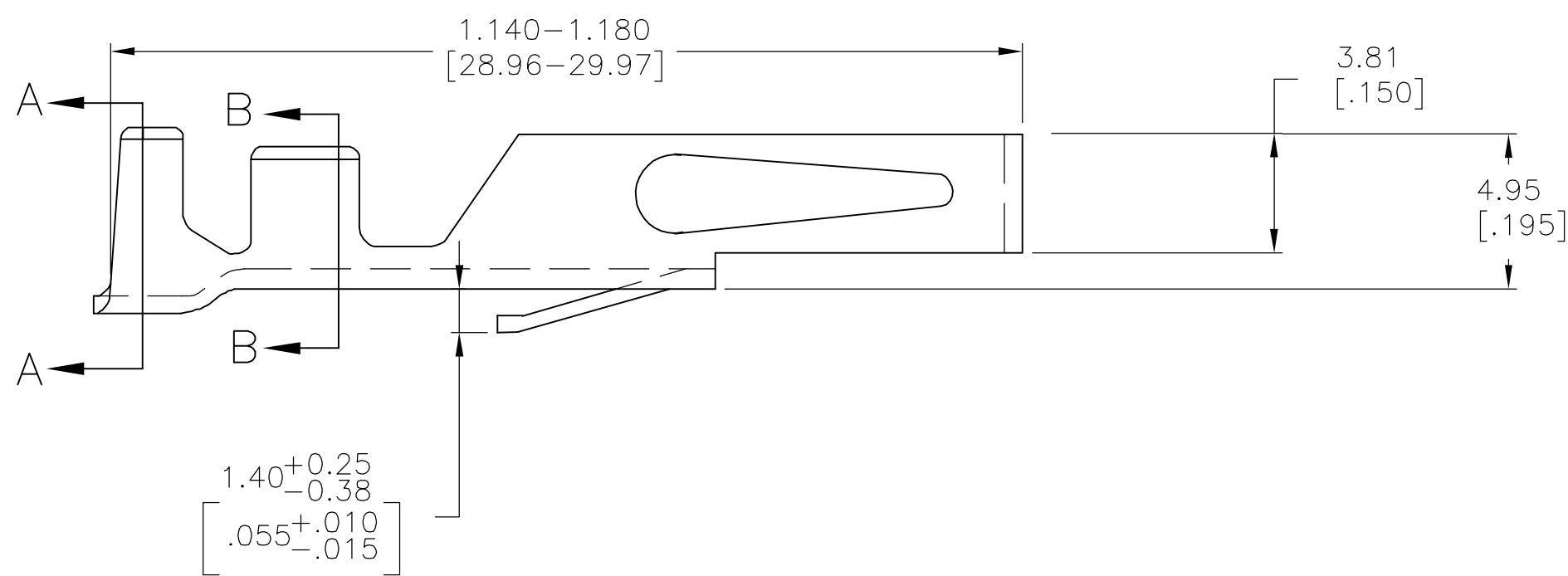
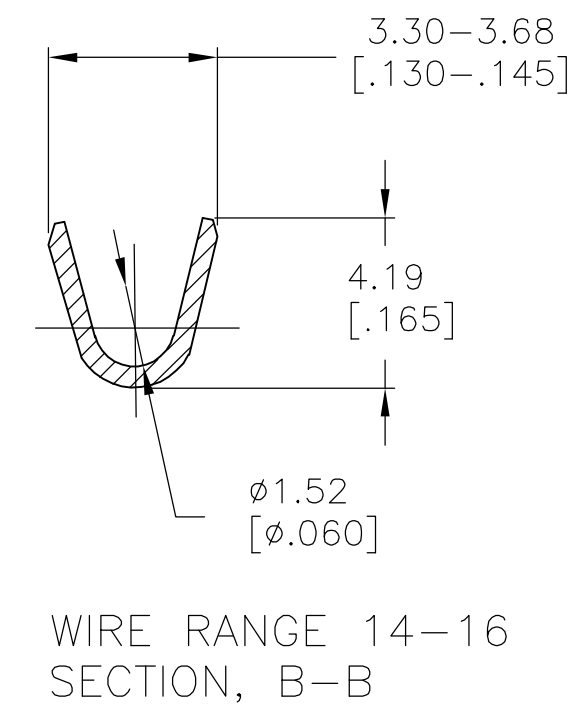
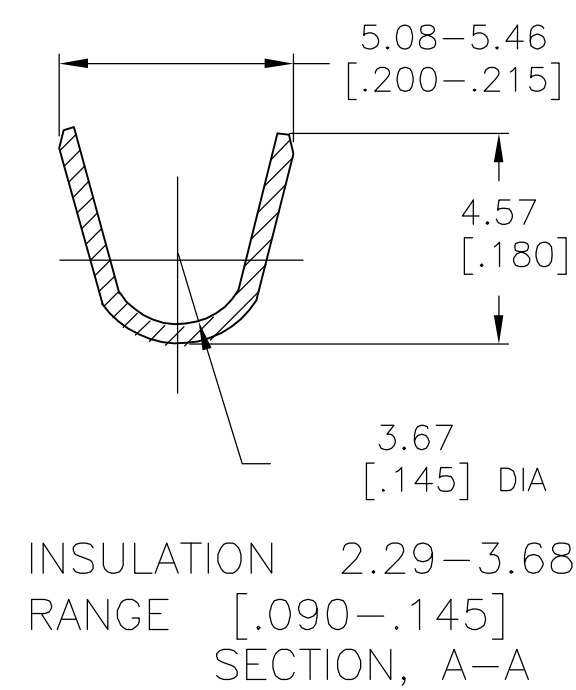
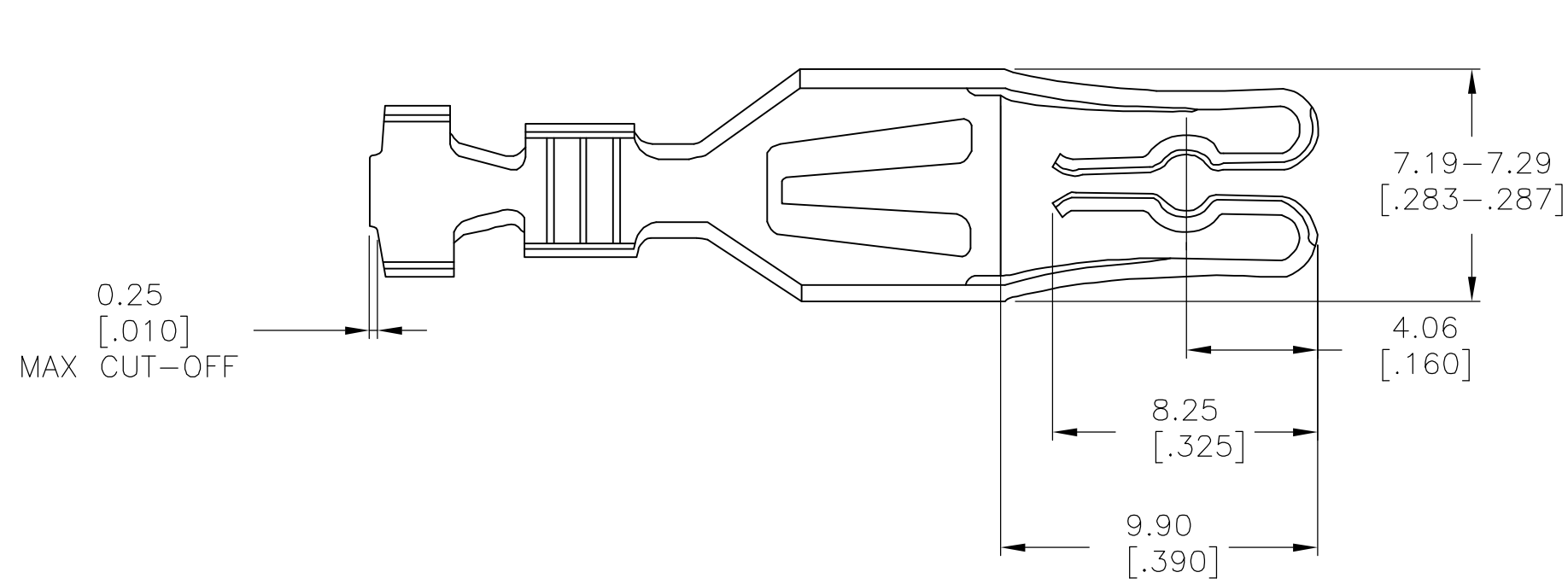


THIS DRAWING IS UNPUBLISHED. RELEASED FOR PUBLICATION
 © COPYRIGHT BY TYCO ELECTRONICS CORPORATION. ALL RIGHTS RESERVED.

LOC		DIST		REVISIONS			
P	LTR	DATE	DWN	APVD			
AD	00						
F		EC 0G3C 0067 05	22NOV05	BSV	MM		



- 1 0.0038 BRIGHT TIN OVER 0.00076 NICKEL [.000150] [.000030]
- 2 0.0038 MATTE TIN OVER 0.00076 NICKEL [.000150] [.000030]

2	5-530518-1
1	530518-1
FINISH	PART NO

THIS DRAWING IS A CONTROLLED DOCUMENT.		DWN	15 MAY 75	Tyco Electronics Corporation Harrisburg, Pa 17105-3608
DIMENSIONS: mm [INCHES]		CHK	15 MAY 75	
TOLERANCES UNLESS OTHERWISE SPECIFIED:		APVD	16 MAY 75	
0 PLC ± - 1 PLC ± - 2 PLC ± - 3 PLC ± - 4 PLC ± - ANGLES ± - FINISH 1		PRODUCT SPEC		
MATERIAL ALLOY CDA-195 1/2 HARD		APPLICATION SPEC		NAME
		WEIGHT		LOOSE PIECE CONTACT HIGH CURRENT 14-16 AWG
		CUSTOMER DRAWING		SIZE CAGE CODE DRAWING NO RESTRICTED TO
				A2 00779 C=530518
		SCALE	5:1	SHEET 1 OF 1 REV F