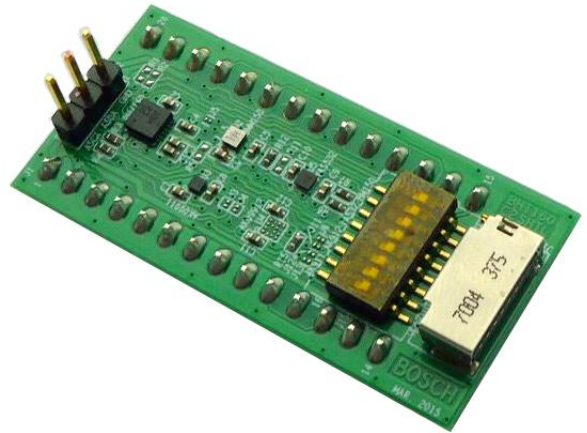


# BHI160 Shuttle Board

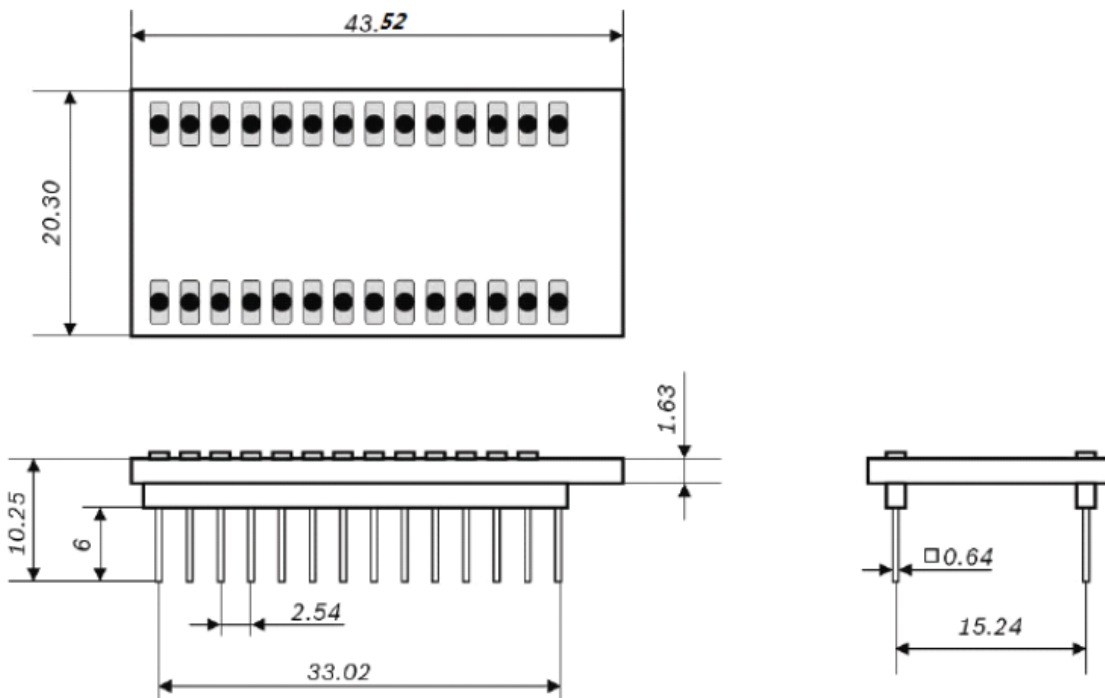
## GENERAL DESCRIPTION

The Bosch Sensortec BHI160 shuttle board is a PCB with the BHI160 Smart Sensor Hub mounted on it. Additionally, it includes up to four external magnetometers, an AKM09911, AKM09912, BMM150, and a YAS532 which can be connected to the BHI160 using the available jumpers on the PCB. All magnetic sensors are enabled by default (Jumper J15 can be used to switch off the power supply of individual sensors, in case this is needed). Additional sensors can be attached to the shuttle board, using the TFR-Card connector interface (J10) provided on the board, next to the jumpers.

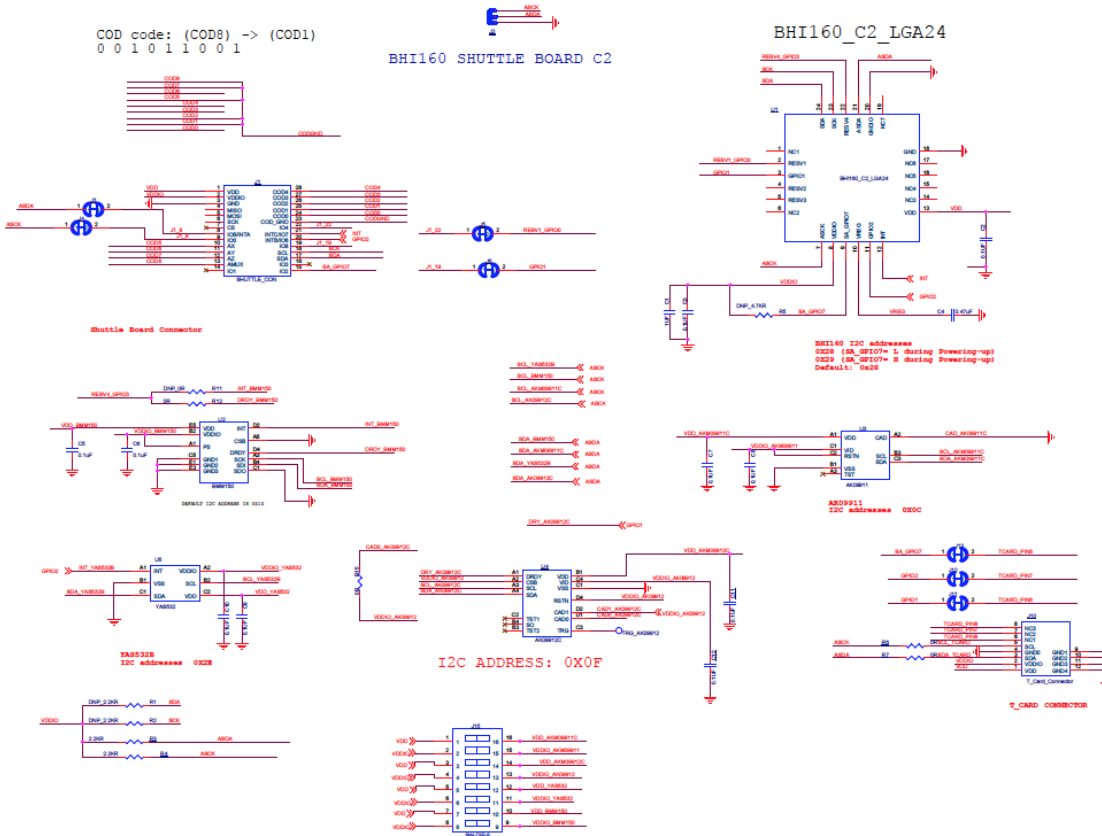
The shuttle board allows easy access to the sensor's pins via a simple socket. As all Bosch Sensortec sensor shuttle boards have identical footprint, they can be plugged into Bosch Sensortec's advanced development tools (e.g. the Development Board or Application Board).



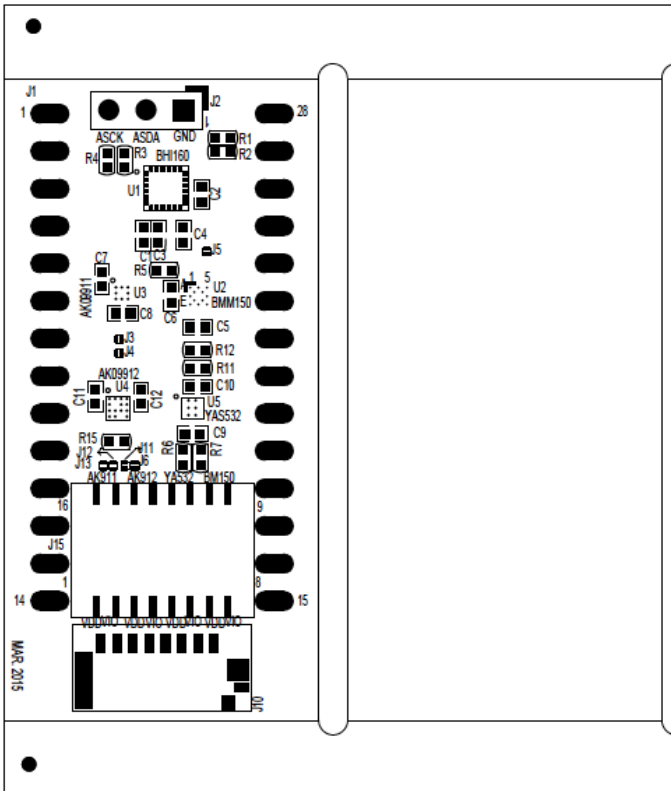
Note: Product photo may differ from real product's appearance.



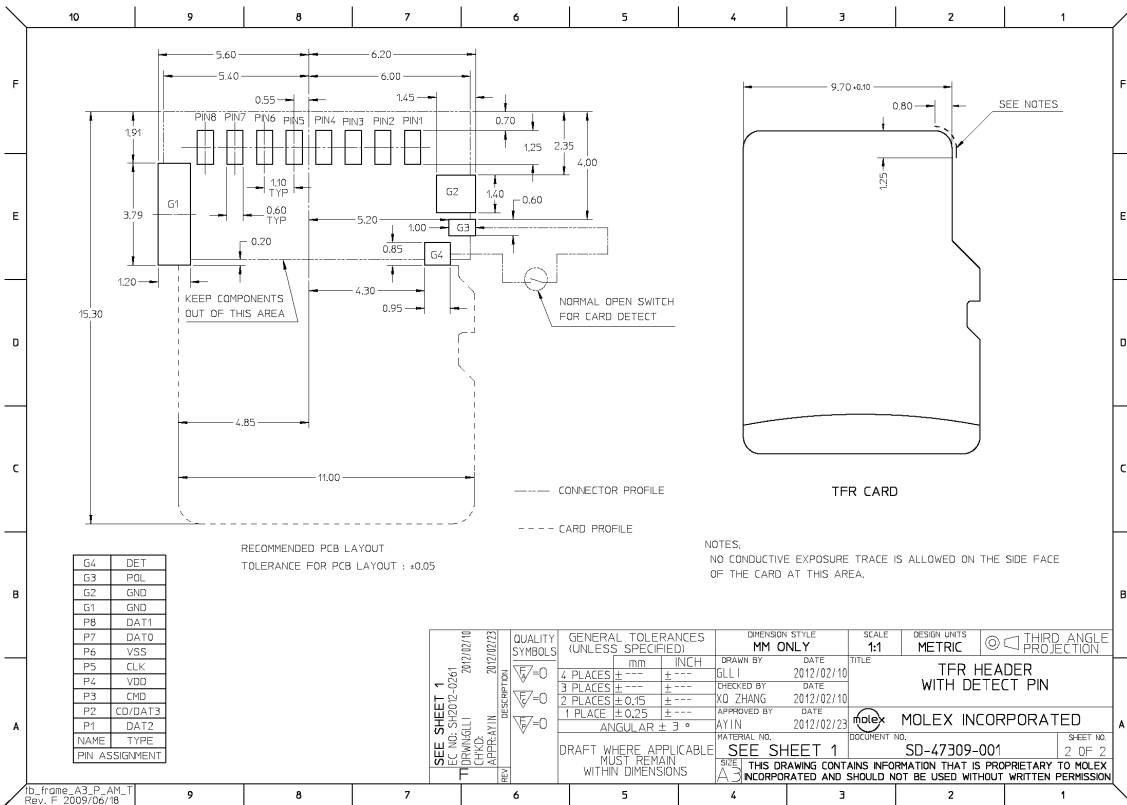
Shuttle board outline dimensions (all dimensions in mm)



BHI160 shuttle board schematic



BHI160 shuttle board layout - placement



TFR Card Extension Interface

Pin	Pin No.	Name	Description
	1	V <sub>DD</sub>	Analog power supply voltage (1.6 V ... 3.3 V)
	2	V <sub>DDIO</sub>	Digital I/O power supply voltage (1.6 V ... 3.3 V)
	3	SDA	I <sup>2</sup> C serial data (Host interface)
	4	GND	Analog power supply ground
	5	SCK	I <sup>2</sup> C serial clock (Host interface)
	6	ASCK	I <sup>2</sup> C Master serial clock, for connection of external sensors
	7	ASDA	I <sup>2</sup> C Master serial data, for connection of external sensors
	8	INT	Host interrupt

DELIVERABLES

- BHI160 shuttle board

**Headquarters**  
**Bosch Sensortec GmbH**  
 Gerhard-Kindler-Strasse 9  
 72770 Reutlingen · Germany  
 Telephone +49 7121 3535 900  
 Fax +49 7121 3535 909  
[www.bosch-sensortec.com](http://www.bosch-sensortec.com)