

NOTES:

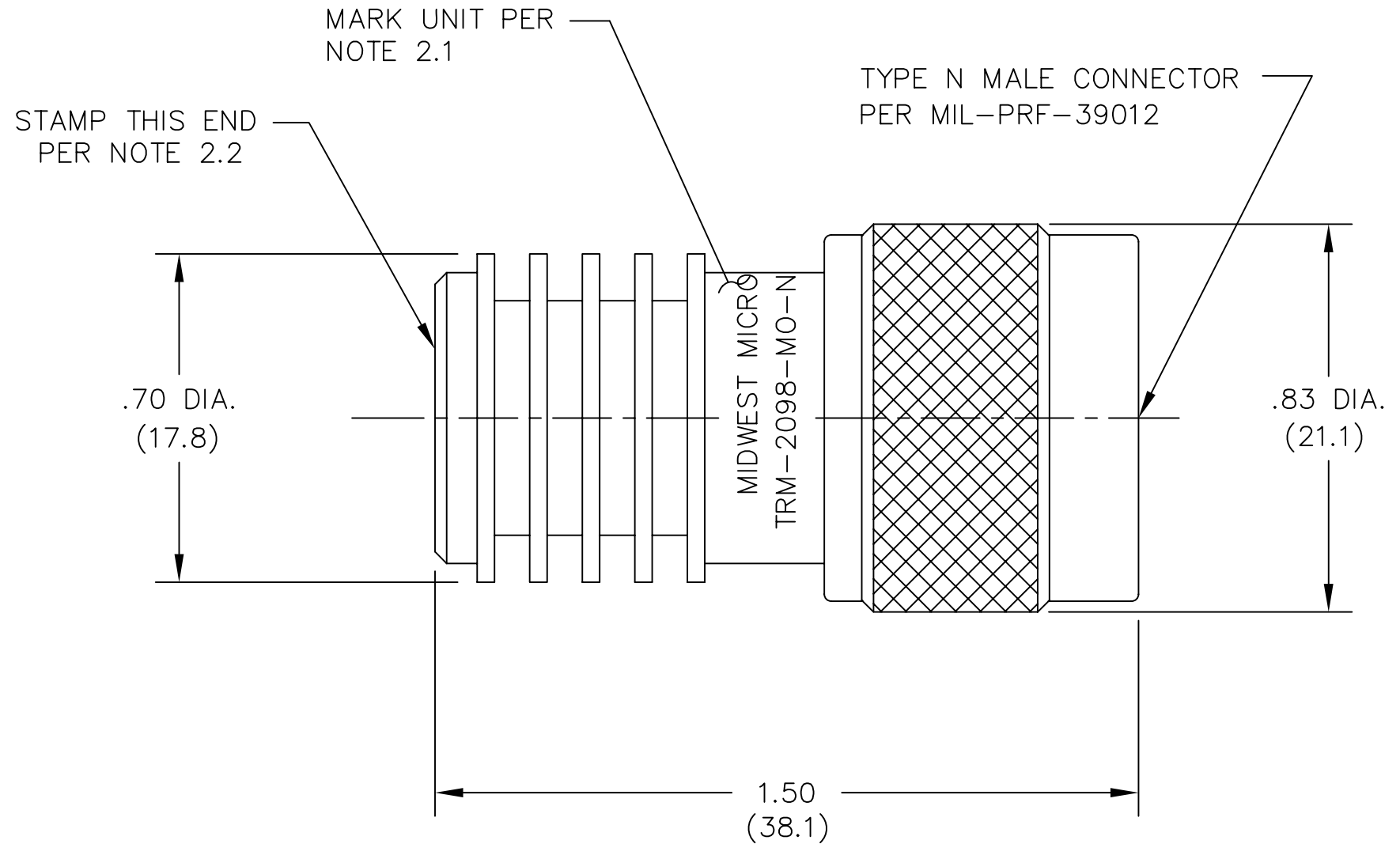
1.0 ELECTRICAL SPECIFICATIONS

- 1.1 FREQUENCY RANGE: DC TO 18.0 GHz
- 1.2 INPUT POWER (MAXIMUM):
10 WATTS AVG. AT +25°C DERATED
LINEARLY TO 1.0 WATT AT +125°C.
- 1.3 PEAK POWER: 0.25 KW (5μSEC PULSE WIDTH).
- 1.4 OPERATING TEMP. RANGE: -55°C to +125°C.
- 1.5 IMPEDANCE: 50 OHMS.
- 1.6 VSWR (MAX.): 1.05 + 0.01 f(GHz)

2.0 MARKING

- 2.1 MARK UNIT AS SHOWN.
(REF: INK-02639-27-16)
- 2.2 STAMP END WITH "CAUTION HOT" STAMP
(REF.: INK-04494-27-01) NOTE: USE
RED INK FOR THIS STAMP ONLY.

3.0 DIMENSIONS IN PARENTHESIS ARE MILLIMETERS.



MODEL NUMBER
 TRM-2098-MO-NNN-07
REV.
 E1

DWG NO. WAS: 02708-01-00

REV.	DESCRIPTION	DATE
-	RELEASED	1/26/79
A	ECR 6545	6/30/89
B	ECR 6933	6/5/90
C	ECR 7550	7/25/90
C1	REVISE SEQ. CODE	5/10/91
D	ON CAD/UPDATE SPECS	6/15/93
E	ECN 13716	6/23/94
E1	ADDED TITLEBLOCK	10/31/05

UNLESS OTHERWISE NOTED DIMENSIONS ARE IN INCHES AND TOLERANCES ARE: 3 PLACE DECIMALS ±.005 2 PLACE DECIMALS ±.02 FRACTIONS ±1/64 PARALLELITY: T.I.R. _____ FLATNESS: T.I.R. _____ CONCENTRICITY: T.I.R. _____ ANGLES AND PERPENDICULARITY: ±1'	FSCM NO. 34078	MIDWEST MICROWAVE		
	NOTICE: The information contained in this drawing is proprietary and must not be used without the permission of Midwest Microwave		TITLE TERMINATION - TYPE N	
	DRAWN/DATE M.HOLLMAN 6/15/93	ENG./DATE G.KOZAK 6/17/93	DRAWING NUMBER TRM-2098-MO-NNN-07	
	CHECKED/DATE A.BEATTY 6/16/93	APPROVED/DATE	SCALE: 3=1	SHEET 1 of 1