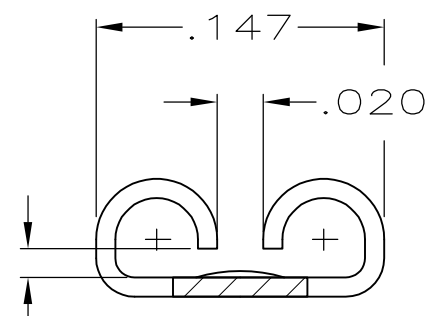
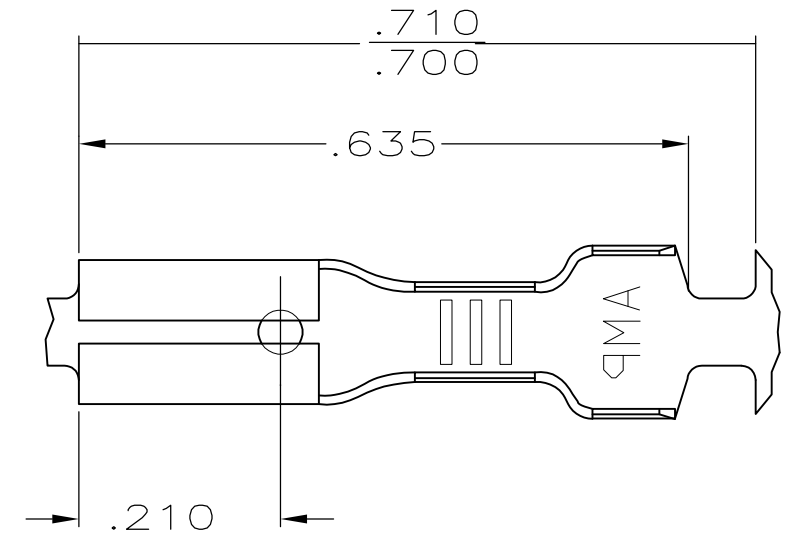


THIS DRAWING IS UNPUBLISHED. RELEASED FOR PUBLICATION
 © COPYRIGHT - By - ALL RIGHTS RESERVED.

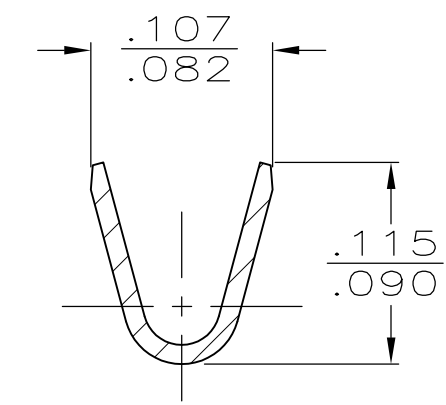
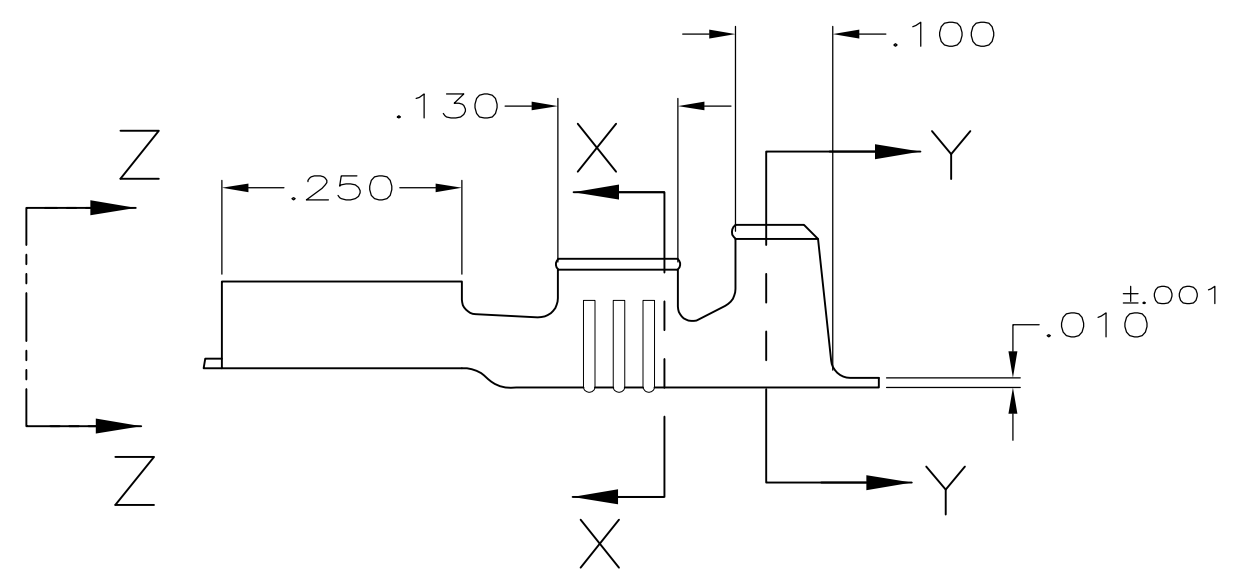
LOC	DIST	REVISIONS					
AF	50	P	LTR	DESCRIPTION	DATE	DWN	APVD
			H	REVISED PER ECR-12-013459	27NOV2012	KH	PD



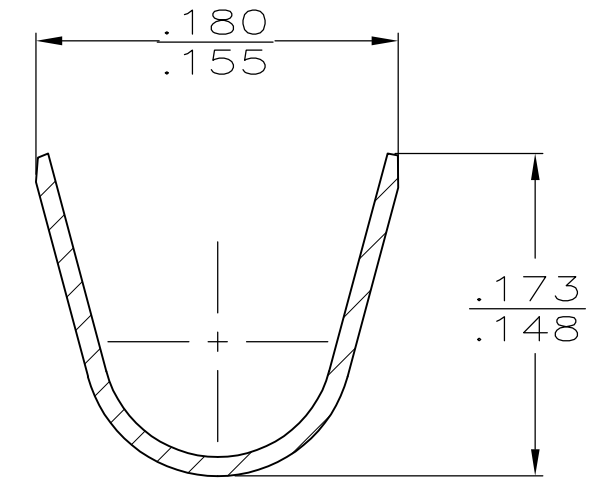
FITS .110 SERIES FASTON TABS

VIEW Z-Z
SCALE 10:1

1 CONTINUOUS STRIP ON REELS



SECTION X-X
SCALE 10:1



SECTION Y-Y
SCALE 10:1

-	.090-.130	22-18 AWG	.020	62094-2
PRE-TIN	.090-.130	22-18 AWG	.020	62094-1
FINISH	INSUL RANGE	WIRE SIZE	MATING TAB THK ±.001	PART NO.

THIS DRAWING IS A CONTROLLED DOCUMENT.		DWN JR RUTH 12/20/90	TE Connectivity		
DIMENSIONS: INCHES 		CHK MS FEHER 12/20/90			
TOLERANCES UNLESS OTHERWISE SPECIFIED: 0 PLC ± - 1 PLC ± - 2 PLC ± - 3 PLC ± .015 4 PLC ± - ANGLES ± -		APVD C MEYERS 12/21/90	NAME RECEPTACLE, FASTON, .110 SERIES		
MATERIAL BRASS		FINISH SEE TABLE	PRODUCT SPEC -	APPLICATION SPEC -	RESTRICTED TO -
CUSTOMER DRAWING			WEIGHT -	SIZE A3	CAGE CODE 00779
			DRAWING NO C-62094	SCALE 5:1	SHEET 1 OF 1
			REV H		