

TL3215 SERIES TACT SWITCH

ANTI-VANDAL SWITCHES
 DETECTOR SWITCHES
 DIP SWITCHES
 KEYLOCK SWITCHES
 NAVIGATION SWITCHES
 PUSHBUTTON SWITCHES
 ROCKER SWITCHES
 ROTARY SWITCHES
 SLIDE SWITCHES
 SNAP ACTION SWITCHES
TACTILE SWITCHES
 TOGGLE SWITCHES
 CAP OPTIONS



APPLICATIONS / MARKETS



Audio / Visual



Computer Peripherals



Consumer Electronics



Instrumentation



Telecommunication



Medical Equipment

RoHS

SPECIFICATIONS

Electrical Rating: 50mA @ 12VDC
Electrical Life: 1,000,000 Cycles
Mechanical Life: 1,000,000 Cycles
Contact Resistance: 100mΩ Max. initial
Insulation Resistance: 100M Ω at 500VDC
Dielectric Strength: 250VAC for 1 min.
Operating Temperature: -40°C to 85°C
Storage Temperature: -40°C to 85°C
Operating Force: 160 gf
Travel: 0.25mm
Contact Arrangement: SPST

FEATURES & BENEFITS

- Illumination options

PART NUMBER CONFIGURATOR

Series	Model	Actuator Option	Actuation Force	LED Color	Contact Material
<input type="text" value="TL"/>	<input type="text" value="3215"/>	<input type="text" value="A - 2.0mm"/>	<input type="text" value="F160 - 160 gf"/>	<input type="text" value="N - None
R - Red
G - Green
B - Blue
Y - Yellow
W - White"/>	<input type="text" value="Q - Silver"/>

Specifications subject to change without notice



E-SWITCH®

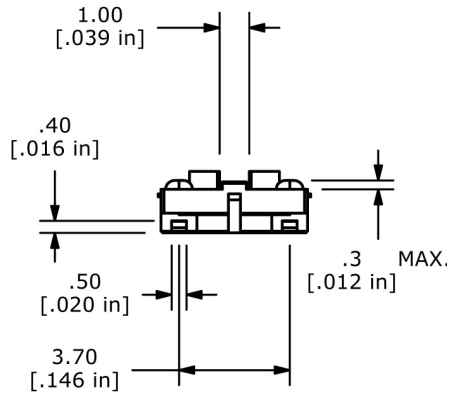
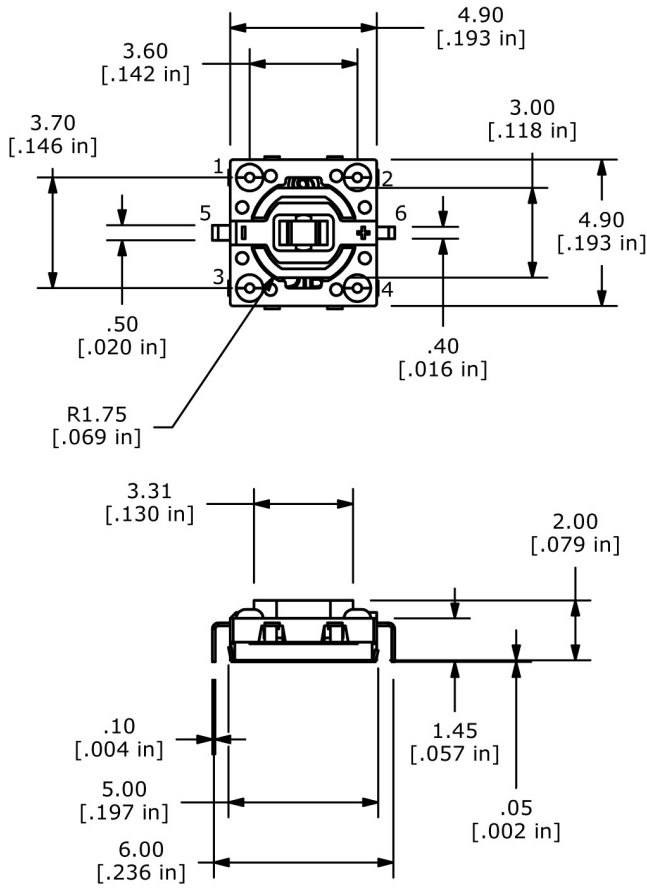
www.e-switch.com

800.867.2717

2

TL3215 SERIES TACT SWITCH

BODY DIMENSIONS



LED Specifications			
LED Color	Forward Current (mA)	Forward Voltage (V @ 20mA)	Luminous Intensity (mcd)
Blue	20	3.0 typ - 3.6 max	100 typ
White	20	3.0 typ - 3.6 max	150 typ
Red	20	1.9 typ - 2.4 max	50 typ
Green	20	2.05 typ - 2.4 max	30 typ
Yellow	20	2.05 typ - 2.4 max	70 typ

