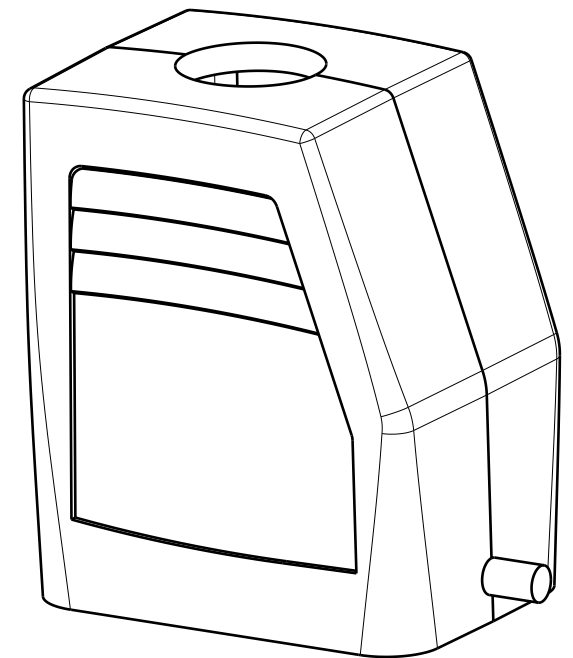
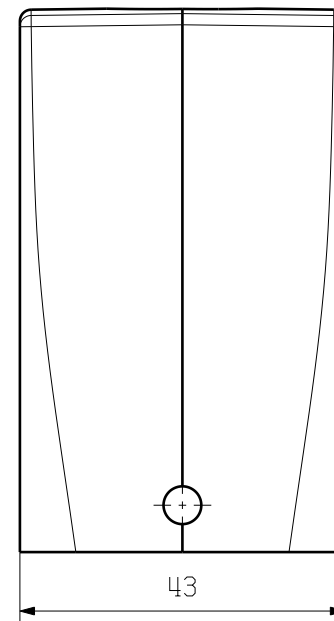
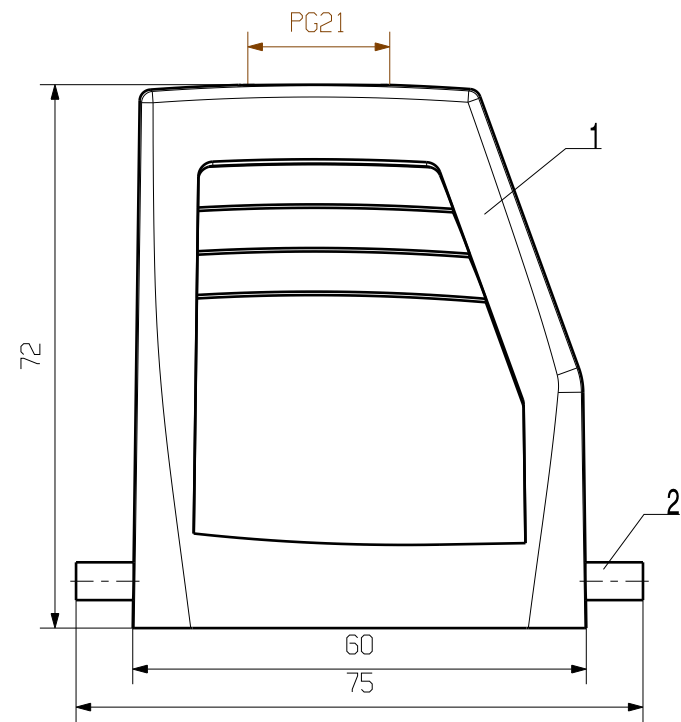


MASSE OHNE TOLERANZ SIND KEINE PRUEFMASSE  
 DIMS. WITHOUT TOLERANCE ARE NOT CONTROL DIMS.



|                            |                   |                               |
|----------------------------|-------------------|-------------------------------|
| 2                          | LOCKING BOLTS     | STAINLESS STEEL               |
| 1                          | PLUG HOOD HOUSING | ALUMINIUM WITH POWDER COATING |
| ROHSTOFF-NR.<br>R.PART NO. | TYP<br>PART NAME  | WERKSTOFF<br>MATERIAL         |

CAT.NO.: 1652680000

|                  |             |              |         |  |  |             |           |
|------------------|-------------|--------------|---------|--|--|-------------|-----------|
| MAX. NRN./NOS. ? |             | MODIFICATION |         | <b>Weidmüller</b>  |  | DRAWING NO. | ISSUE NO. |
| SCALE: 1/1       | DRAWN       | DATE         | NAME    | <b>HDC 16D TOLU 1PG21G</b><br>STECKERGEHAEUSE<br>PLUG HOOD HOUSING |  |             |           |
| SUPERSEDES:      | RESPONSIBLE | 14.11.2005   | LIU_F   |  |  |             |           |
| SUPERSEDED BY:   | CHECKED     | 30.11.2005   | ZHANG_T |  |  |             |           |
|                  | APPROVED    |              |         | PRODUCT FILE:  |  |             |           |

WEITERGABE SOWIE VERVIELFÄLTIGUNG DIESES DOKUMENTS, VERWERTUNG UND MITTEILUNG SEINES INHALTS SIND VERBOTEN, SOWEIT NICHT AUSDRUECKLICH GESTATET.  
 ZUWIDERHANDLUNGEN VERPFLICHTEN ZU SCHADENERSATZ. ALLE RECHTE FUER DEN FALL DER PATENT-, GEBRAUCHSMUSTER- ODER GESCHMACKSMUSTEREINTRAGUNG VORBEHALTEN.  
 THE REPRODUCTION, DISTRIBUTION AND UTILIZATION OF THIS DOCUMENT AS WELL AS THE COMMUNICATION OF ITS CONTENTS TO OTHERS WITHOUT EXPLICIT AUTHORIZATION IS PROHIBITED.  
 OFFENDERS WILL BE HELD LIABLE FOR THE PAYMENT OF DAMAGES. ALL RIGHTS RESERVED IN THE EVENT OF THE GRANT OF A PATENT, UTILITY MODEL OR DESIGN.