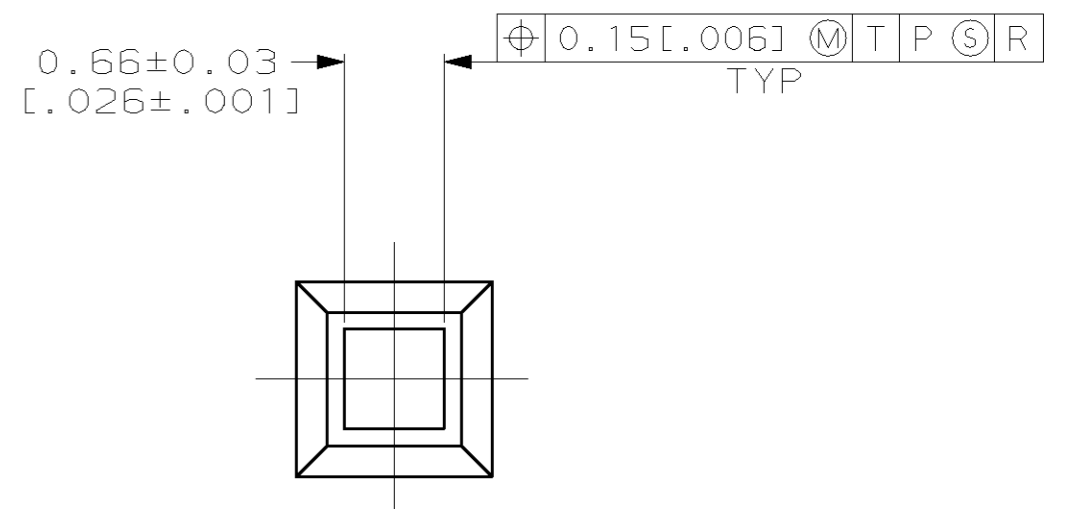
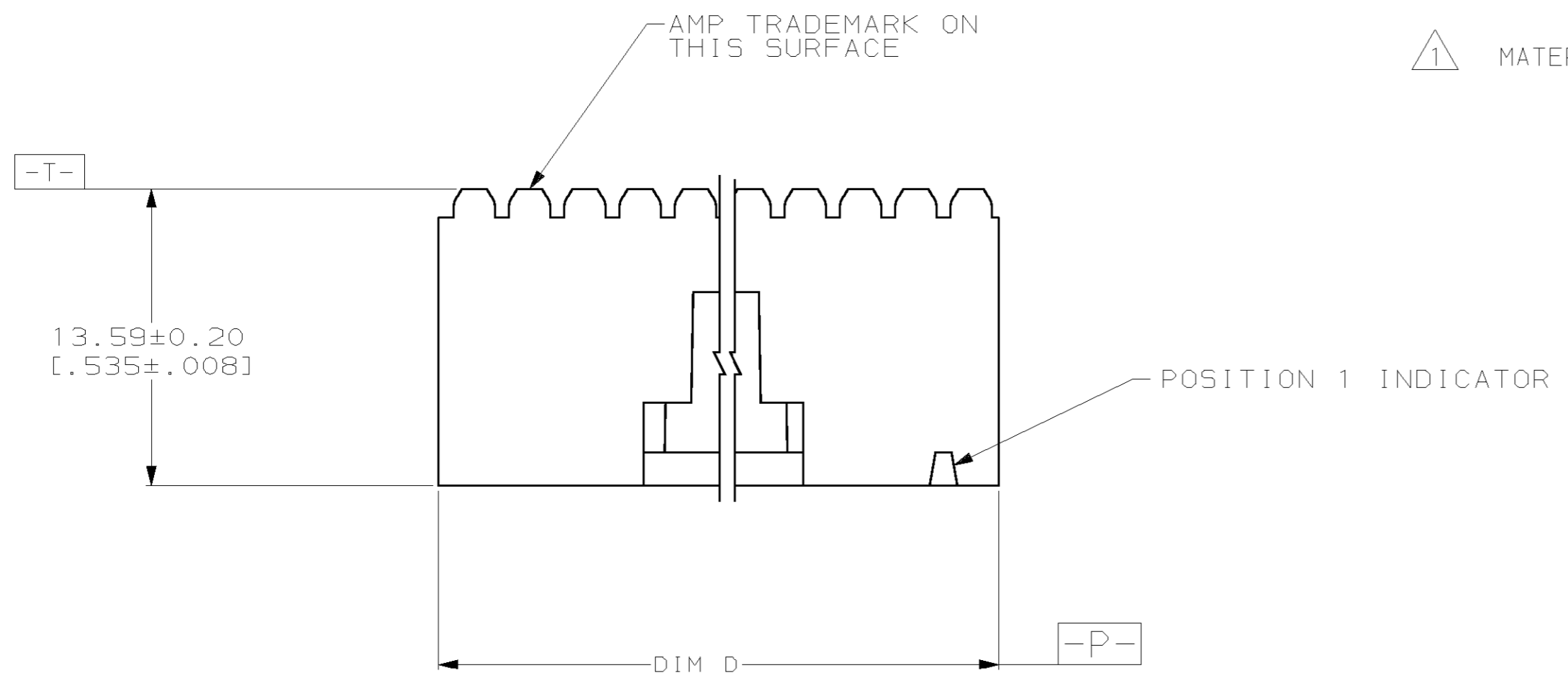


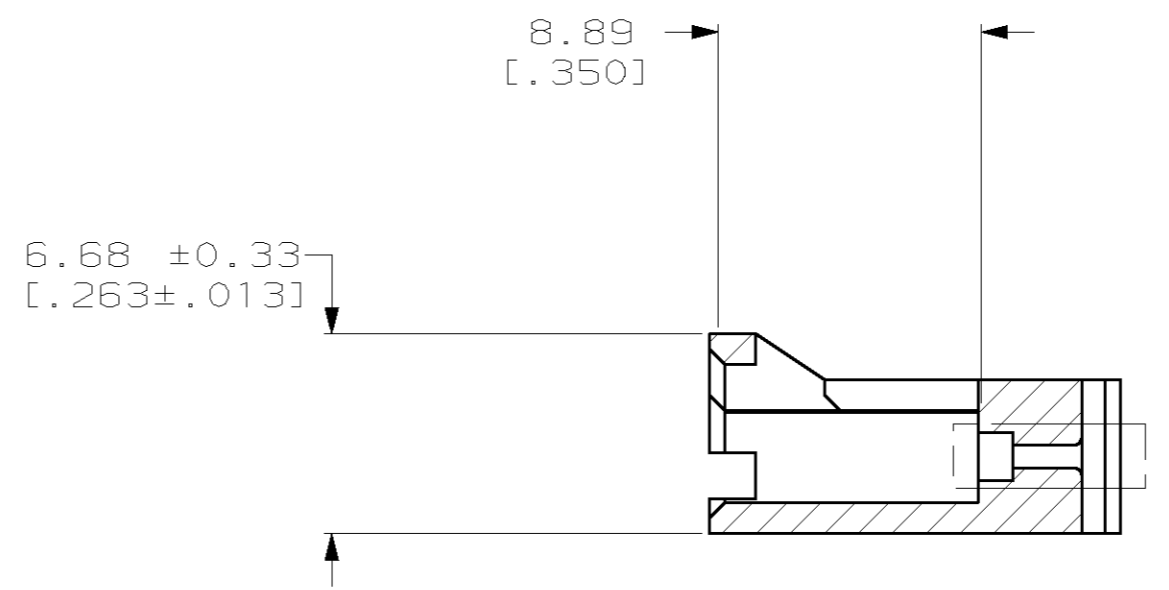
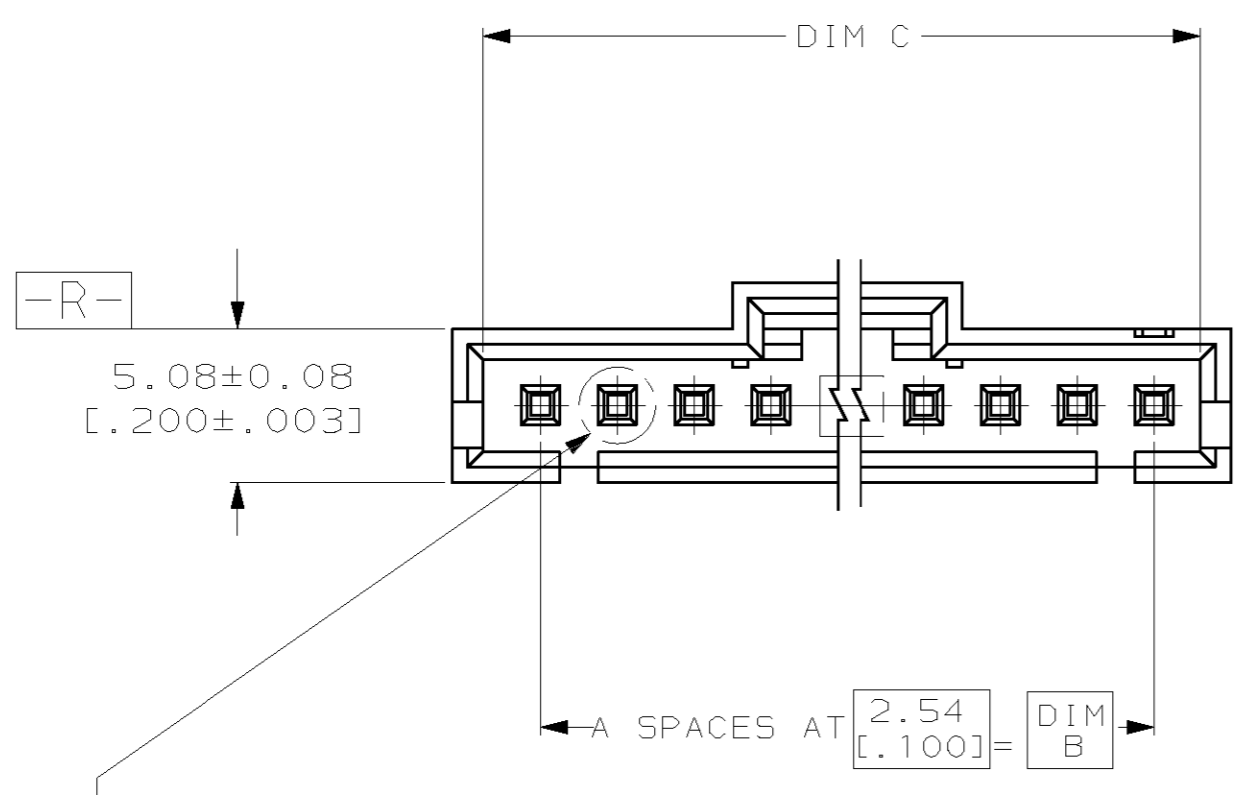
THIS DRAWING IS UNPUBLISHED. RELEASED FOR PUBLICATION .19
 © COPYRIGHT 19 BY AMP INCORPORATED. ALL RIGHTS RESERVED.

LOC		DIST		REVISIONS			
P	LTR	DESCRIPTION	DATE	DWN	APVD		
	0	RELEASED	29JUN98	BH	BS		
	A	RELEASED PER 0621-0317-98	14DEC98	BH	JDV		
	B	REV PER 051A-0076-99	27SEP99	BH	KW		

1 MATERIAL: HOUSING, FLAME RETARDANT THERMOPLASTIC, COLOR-BLACK



SEE DETAIL W
SCALE 20:1



30.48 [1.200]	28.45 [1.120]	25.40 [1.000]	10	11	1-104906-0
20.32 [.800]	18.29 [.720]	15.24 [.600]	6	7	104906-6
D	C	B	A	NO OF POSN	PART NUMBER

THIS DRAWING IS A CONTROLLED DOCUMENT.		DWN	29JUN98	AMP Incorporated Harrisburg, PA 17105-3608
DIMENSIONS: MM(INCH)		CHK	29JUN98	
TOLERANCES UNLESS OTHERWISE SPECIFIED:		APVD	29JUN98	
0 PLC ±- 1 PLC ±- 2 PLC ±- 3 PLC ±0.13(.005) 4 PLC ±- ANGLES ±-		NAME	B. SPINK	
MATERIAL 1		PRODUCT SPEC	-	HIGH TEMP HEADER HOUSING, ANPMODU MTE, SINGLE ROW, .100ØVERTICAL MOUNT WITH LATCH
FINISH -		APPLICATION SPEC	-	SIZE CAGE CODE DRAWING NO RESTRICTED TO
		WEIGHT	-	A2 00779 C- 104906 -
		CUSTOMER DRAWING	SCALE 4:1	SHEET 1 OF 1 REV B