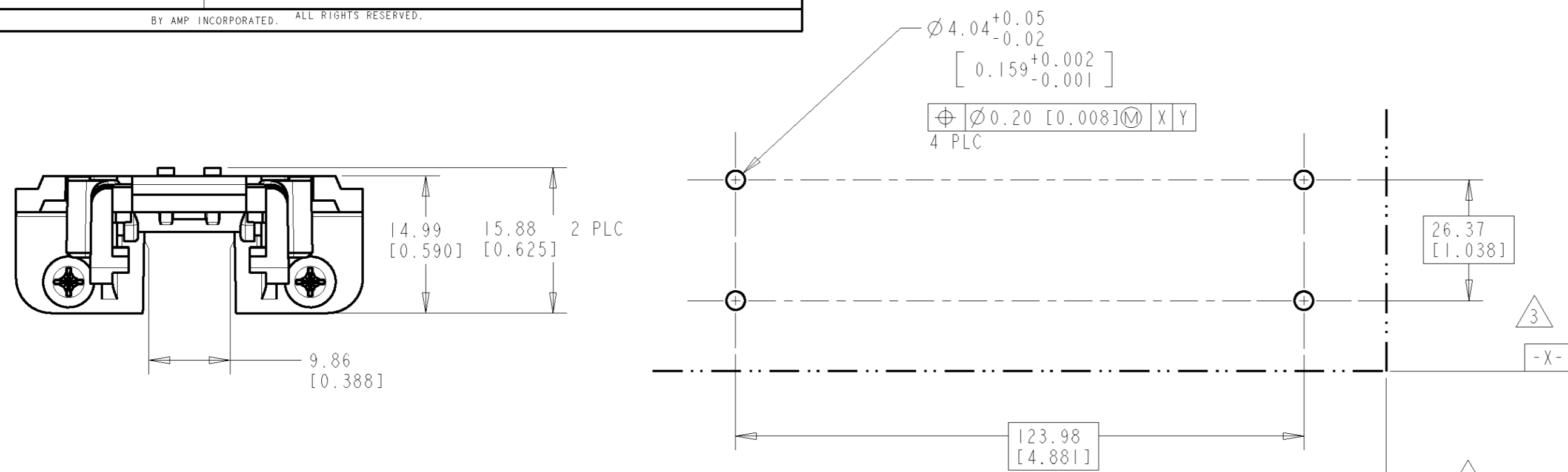


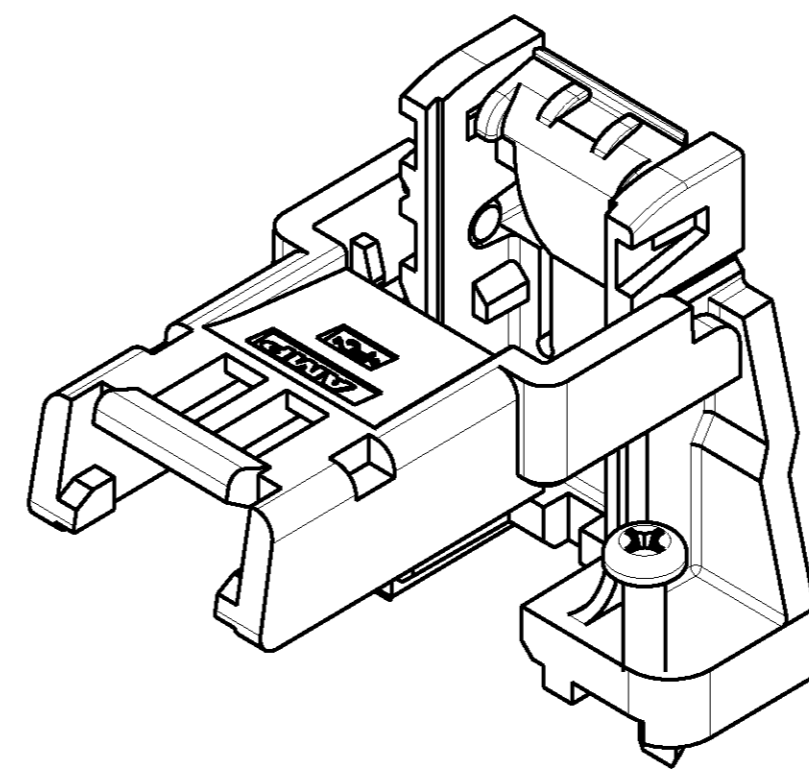
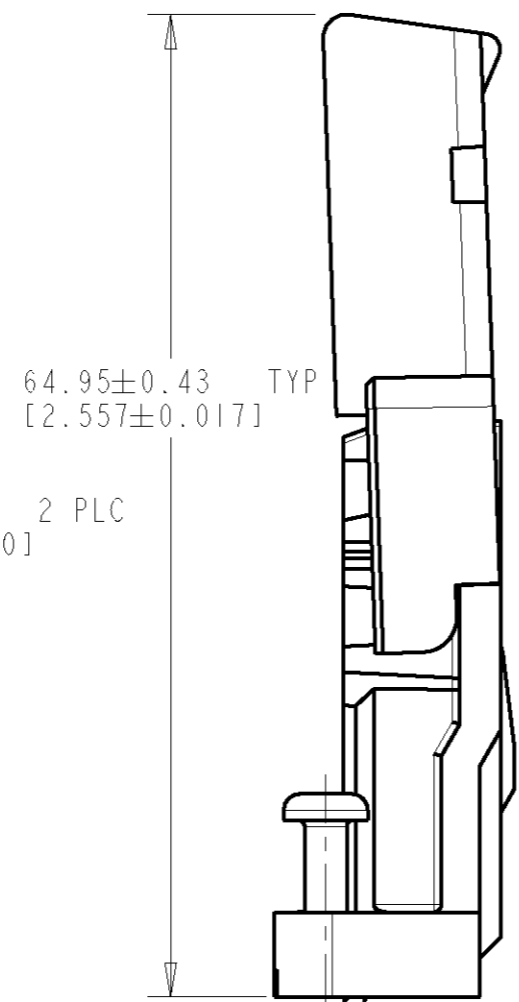
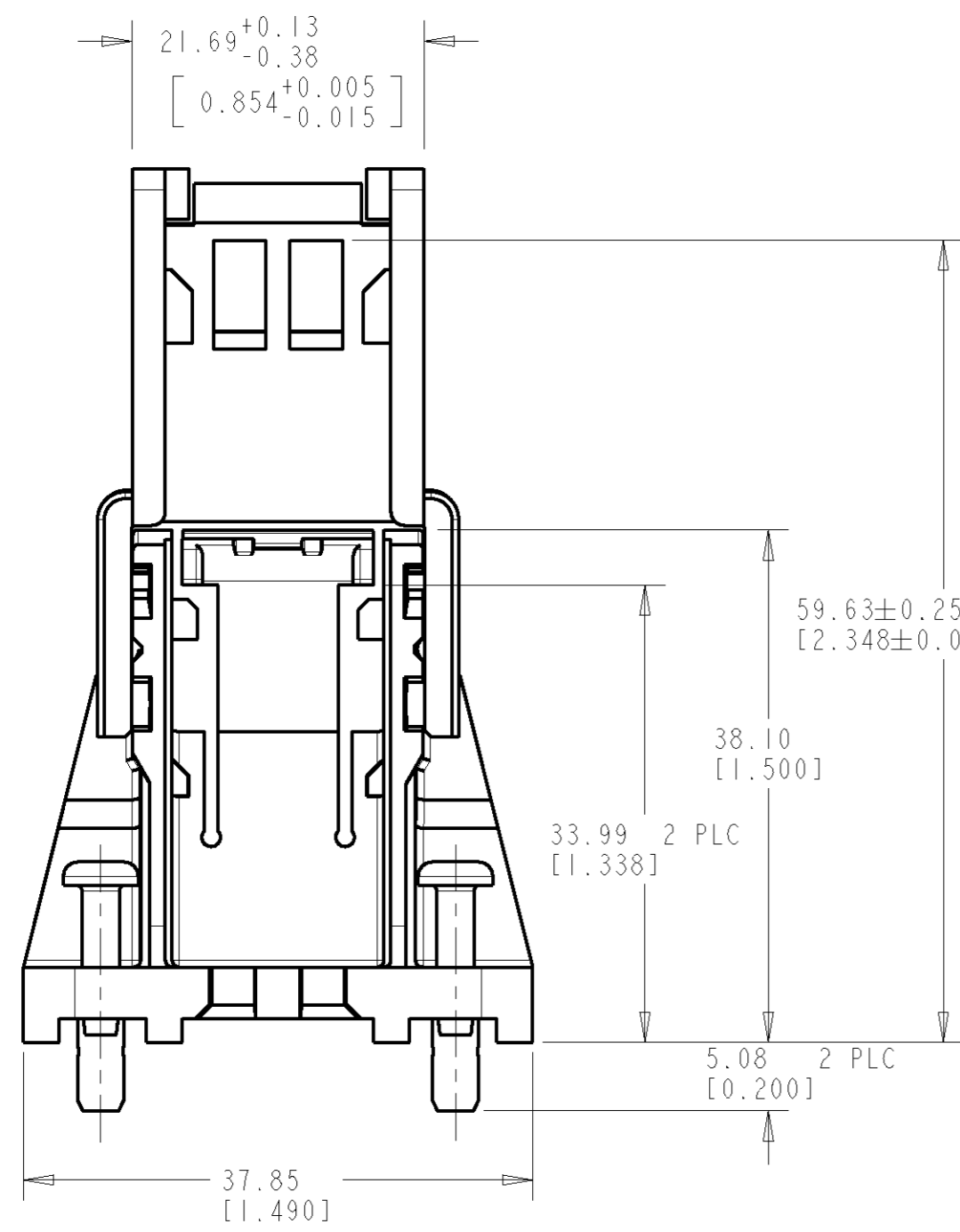
THIS DRAWING IS UNPUBLISHED. RELEASED FOR PUBLICATION .19
 © COPYRIGHT 19 BY AMP INCORPORATED. ALL RIGHTS RESERVED.

| LOC | DIST | REVISIONS | | | | | |
|-----|------|-----------|-----|-------------|---------|-----|------|
| AD | 14 | P | LTR | DESCRIPTION | DATE | DWN | APVD |
| | | 0 | | RELEASED | 04DEC98 | RB | EL |
| | | - | | | - | - | - |

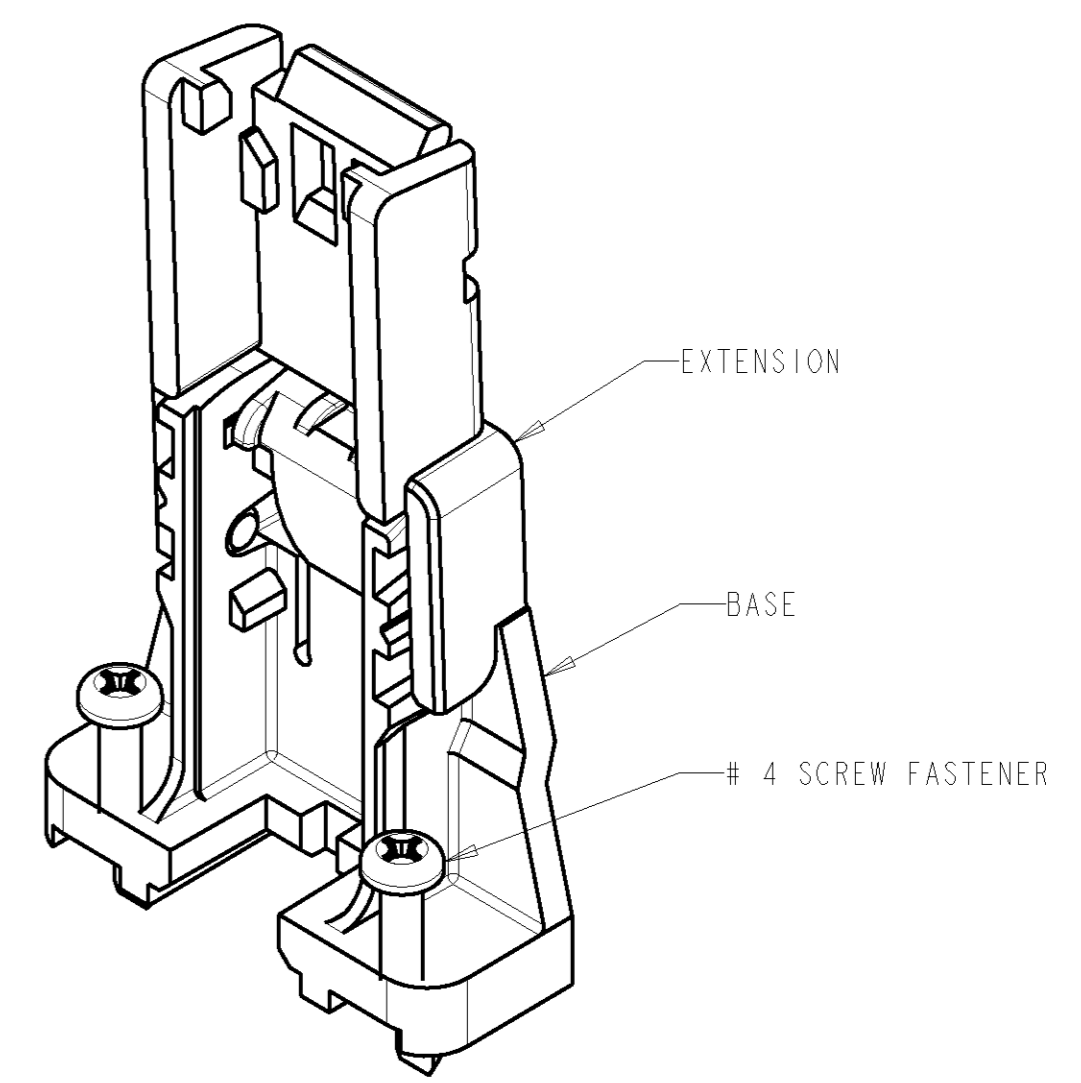


- 1 ALL MOLDED COMPONENTS- UL 94-VO RATED POLYCARBONATE; BLACK.
- 2 RECOMMENDED PC BOARD THICKNESS OF 1.57±0.15[.062±.006].
- 3 DATUM AND BASIC DIMENSIONS ESTABLISHED BY CUSTOMER.
- 4 BULK PACKAGED IN PARTITIONED BOXES IN THE EXTENDED POSITION.
- 5 EACH PROCESSOR INSTALLATION REQ'S TWO RETENTION MODULES.

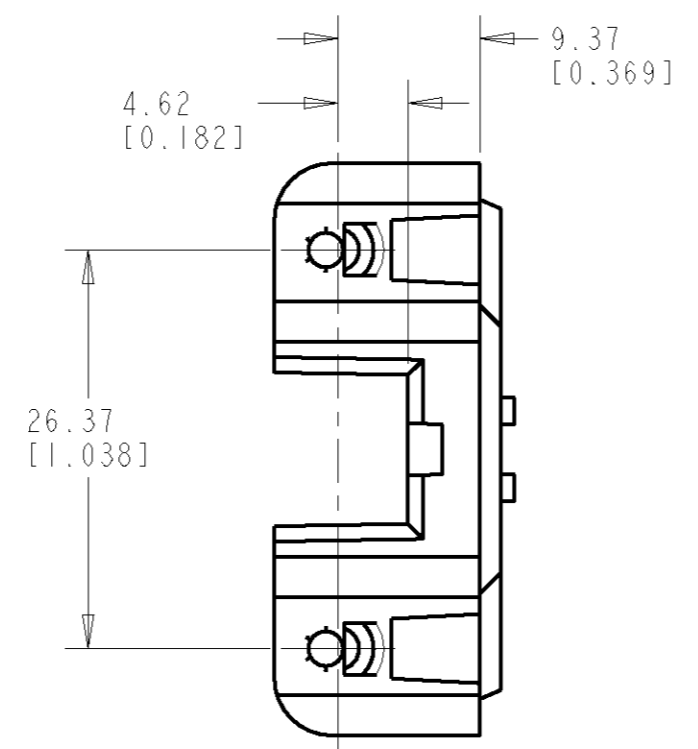
RECOMMENDED PC BOARD LAYOUT ²
 SCALE 1:1



FOLDED POSITION



EXTENDED POSITION



☉ OF PCB HOLES

| | |
|-----------------------------------|--------------------------|
| 2 MODULES WITH #4 SCREW FASTENERS | 145436-2 |
| 1 MODULE WITH #4 SCREW FASTENERS | 145436-1 |
| DESCRIPTION | ⁵ PART NUMBER |

| | | | |
|---|----------|----------------------------|--|
| THIS DRAWING IS A CONTROLLED DOCUMENT FOR AMP INCORPORATED. IT IS SUBJECT TO CHANGE AND THE CONTROLLING ENGINEERING ORGANIZATION SHOULD BE CONTACTED FOR THE LATEST REVISION. | | DWN R BROWN 04DEC98 | AMP AMP Incorporated Harrisburg, PA 17105-3608 |
| DIMENSIONS: mm [INCHES] | | CHK E LOTTER 04DEC98 | |
| TOLERANCES UNLESS OTHERWISE SPECIFIED: | | APVD V RUMINSKI 04DEC98 | NAME UNIVERSAL RETENTION MODULE ASSEMBLY KIT, SCREW FASTENER RECESSED LATCH |
| 0 PLC ± | 1 PLC ± | PRODUCT SPEC 108-1826 | SIZE A2 |
| 2 PLC ±0.13[.005] | 3 PLC ± | APPLICATION SPEC | CAGE CODE 00779 |
| 4 PLC ± | ANGLES ± | WEIGHT | DRAWING NO 145436 |
| FINISH | | CUSTOMER DRAWING | RESTRICTED TO |
| | | SCALE 2:1 | SHEET 1 OF 1 |
| | | | REV 0 |

145436