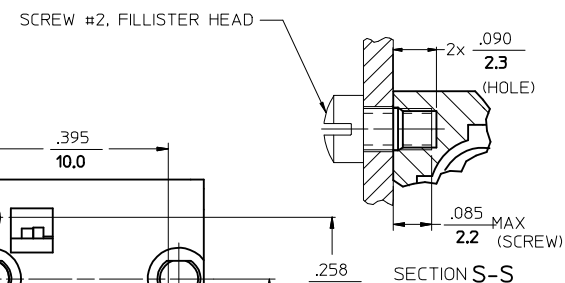
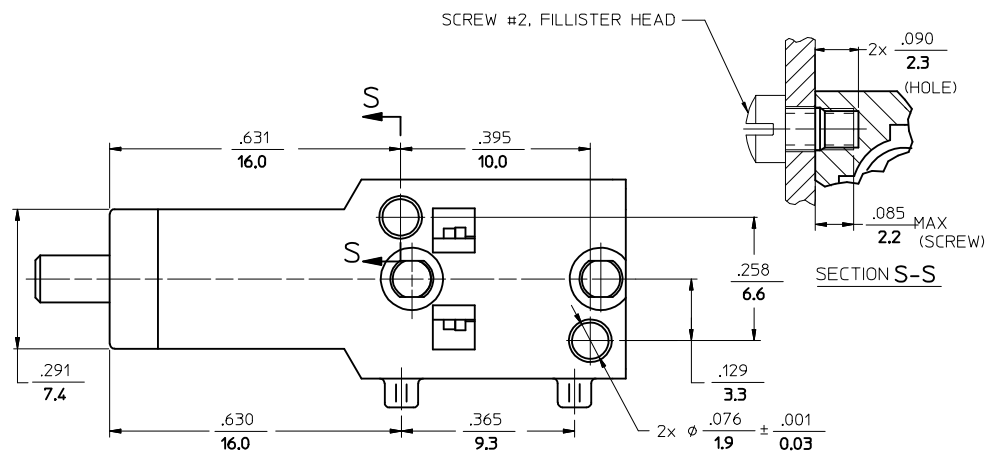
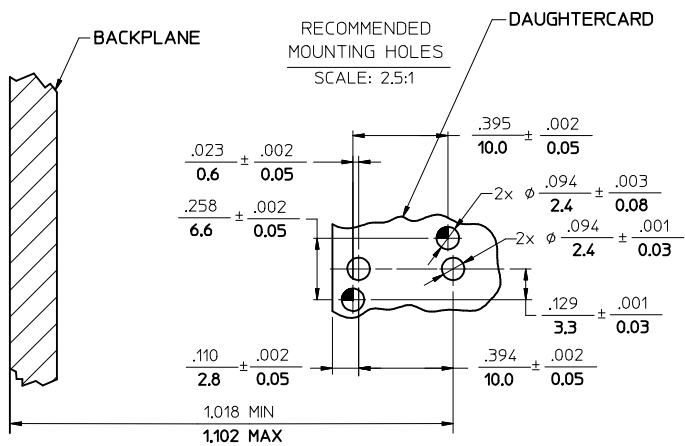
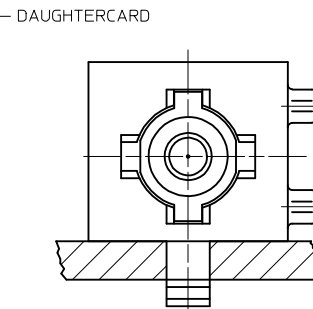
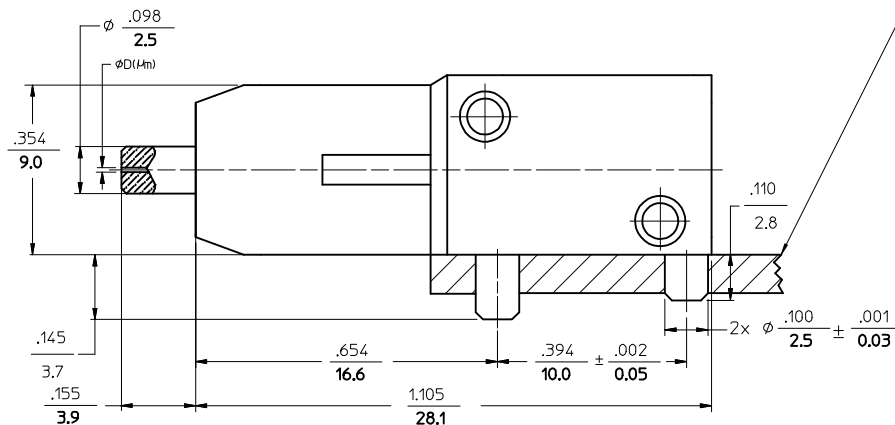
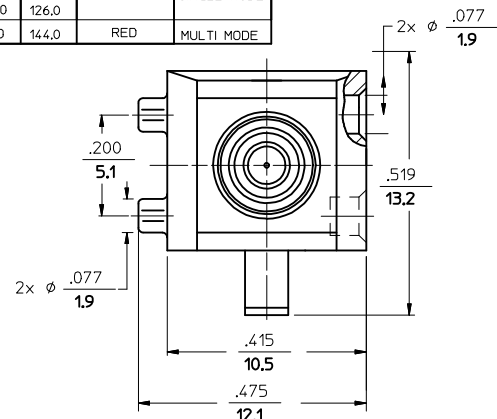


CONNECTOR P/N	øD(Hm)	HOUSING COLOR	CABLE TYPE
106071-2300	125.5	BLACK	SINGLE MODE
106071-3000	128.0		MULTI MODE
106071-2000	125.5	RED	SINGLE MODE
106071-5000	126.0		MULTI MODE
106071-1000	144.0		



ENTER DESCRIPTION EC NO: MF2015-0802 DRAWN: MLLC/TEIN 2015/06/19 CHKD: APPR: WJCHEN 2015/08/04	QUALITY SYMBOLS ▽=0 ▽=0	GENERAL TOLERANCES (UNLESS SPECIFIED)		DIMENSION STYLE IN/MM	SCALE 5:1	DESIGN UNITS INCH	THIRD ANGLE PROJECTION
		4 PLACES ± --- ± ---	3 PLACES ± --- ± ---	2 PLACES ± --- ± ---	1 PLACE ± --- ± ---	0 PLACE ± --- ± ---	DRAWN BY DATE PGIBL IN 2005/10/27
B	DESCRIPTION	ANGULAR ±1/2°		MATERIAL NO. 1060714351	DOCUMENT NO. SD-106071-XX00	TITLE BSC-2 CONNECTOR (TUNABLE)	
		DRAFT WHERE APPLICABLE MUST REMAIN WITHIN DIMENSIONS		APPROVED BY DATE	SHEET NO. 1 OF 1		THIS DRAWING CONTAINS INFORMATION THAT IS PROPRIETARY TO MOLEX INCORPORATED AND SHOULD NOT BE USED WITHOUT WRITTEN PERMISSION