
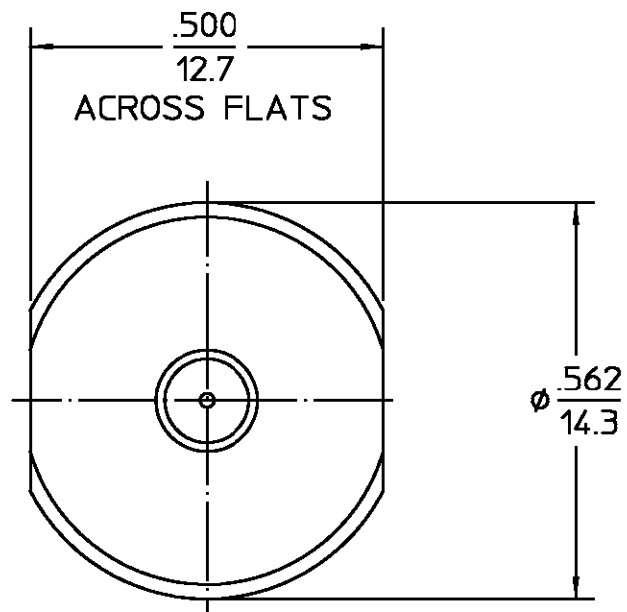
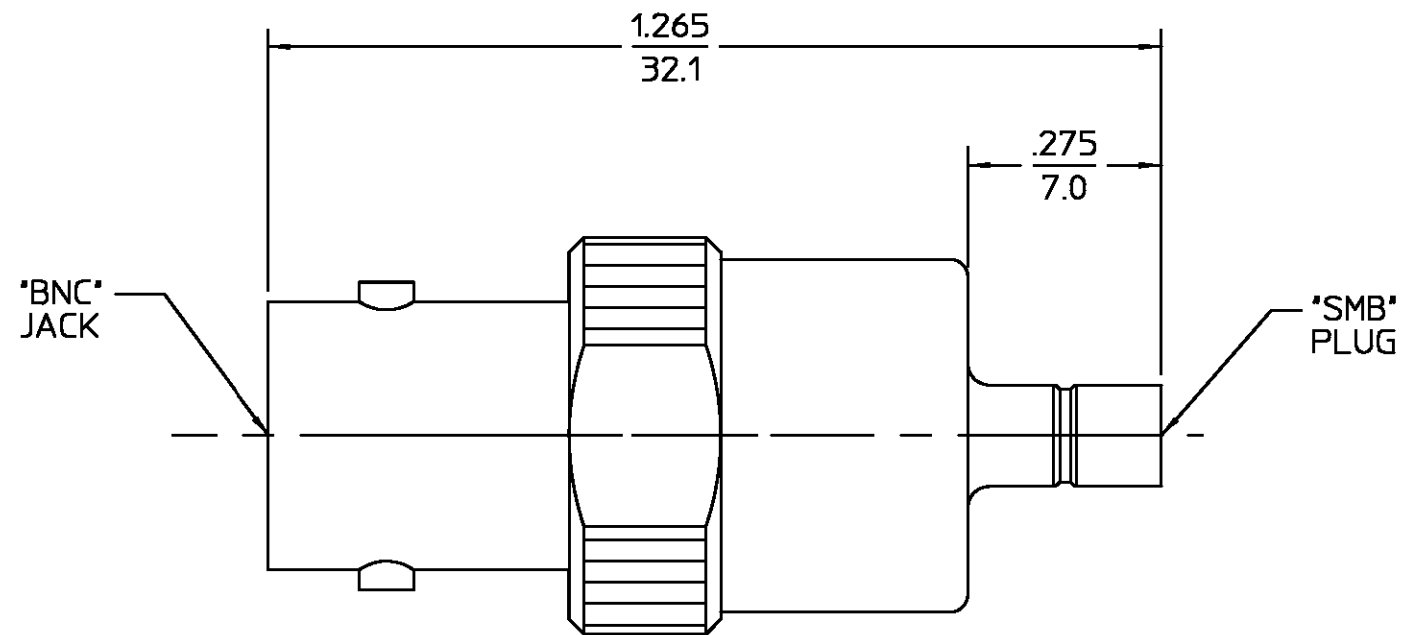



REVISIONS			
REV	DESCRIPTION	DATE	APPROVED
01 <sub>1</sub>	REVISED	KYLE 10-22-97	 10/27/97



HOUSING (BNC)	BRASS PER ASTM-B-16, HALF HARD	NICKEL PLATE PER QQ-N-290
HOUSING (SMB)	STAINLESS STEEL PER ASTM-A484 AND ASTM-A582, TYPE 303	PASSIVATE PER QQ-P-35
DIELECTRIC	PTFE FLUOROCARBON PER ASTM-D-1457	N/A
CENTER CONTACT	BERYLLIUM COPPER PER ASTM-B-196 OR ASTM-B-197, ALLOY C17300, CONDITION H	GOLD PLATE PER MIL-G-45204

COMPONENT	MATERIAL	FINISH
-----------	----------	--------

UNLESS OTHERWISE SPECIFIED DIMENSIONS ARE IN INCHES FRAC. ± 1/64 DEC. ± .005 ANGLES ± 1°	DRAWN BY BC	DATE 5-13-77	 <b>AMP Incorporated</b> 140 Fourth Avenue Waltham, MA 02451-7599
	CHECKED BY KWW	DATE 6-14-77	
	APPD BY RMF	DATE 6-15-77	

These drawings and specifications are the property of M/A COM Interconnect Div. and shall not be reproduced or copied or used in whole or in part as the basis for the manufacture or sale of item(s) without written permission.	USE ASSY PROCEDURE	TITLE "SMB" JACK TO "BNC" JACK ADAPTER	
	NO. A.P. N/A	SIZE B	CODE IDENT NO. 3280-2224-00
		SCALE 4:1	REV 01 <sub>1</sub>

.XXX = in  
XX.X = mm (REF)