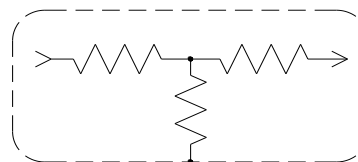
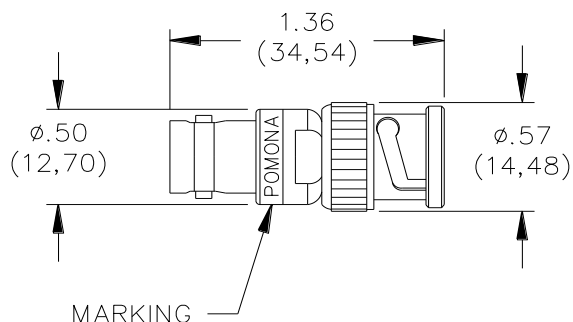


**Model 4108 & 5513  
BNC 50 Ohm Attenuator & Kit**



SCHEMATIC

ATTENUATION & VSWR TOLERANCES ALL MODELS	
VSWR	ATTENUATION TOLERANCES
1.1 to 1GHz	±0.4dB to 1GHz
1.2 to 2GHz	±0.45dB to 2GHz
1.35 to 4GHz	±0.65dB to 4GHz

MODEL NUMBER	*ATTENUATION
4108-3dB	3dB
4108-6dB	6dB
4108-10dB	10dB
4108-14dB	14dB
4108-20dB	20dB

**Features**

- Used to attenuate signals in coaxial lines

**Materials**

**Body and Fittings:** Brass per QQ-B-626, Alloy 360, ½ Hard

**Center Contact:**

*Male* – Brass per QQ-B-626, Alloy 360, ½ Hard

*Female* – Beryllium Copper per QQ-C-530, Cond. HT

**Outer Contact:** Beryllium Copper per QQ-C-530, Cond. HT

**Dielectric:** PTFE per ASTM D1457

**Gaskets:** Silicone rubber per ZZ-R-765, Class 11, Grade 50

**Resistor:** 2W, Metal film attenuator

**Finish:**

*Body and Fittings* – Tarnish Resistant

*Center Contact* – Gold plated per MIL-C-39012

*Outer Contact* – Tarnish Resistant

**Marking:** *Body* – “POMONA 4108-\*”



**Ratings**

- Nominal Impedance: 50 Ohm
- Power: 2 Watt @ 70°C; derated linearly to .6 watts @ 150°C
- Resistor Tolerance: ± 2.5% @ 25°C
- Operating Temperature: -55°C to +102°C

**Ordering Information**

Model: **4108-XXdB** (XX – see table for available attenuations)

Model: **5513** Kit contains 1 of each model

**USA:** Sales: 800-490-2361  
Technical Support: [technicalsupport@pomonatest.com](mailto:technicalsupport@pomonatest.com)  
Fax: 425-446-5844

**Europe:** 31-(0) 40 2675 150 **International:** 425-446-5500

**Where to Buy:** [www.pomonaelectronics.com](http://www.pomonaelectronics.com)

All dimensions are in inches. Tolerances (except noted): .xx = ±.02” (.51 mm), .xxx = ± .005” (.127 mm). All specifications are to the latest revisions. Specifications are subject to change without notice. Registered trademarks are the property of their respective companies.