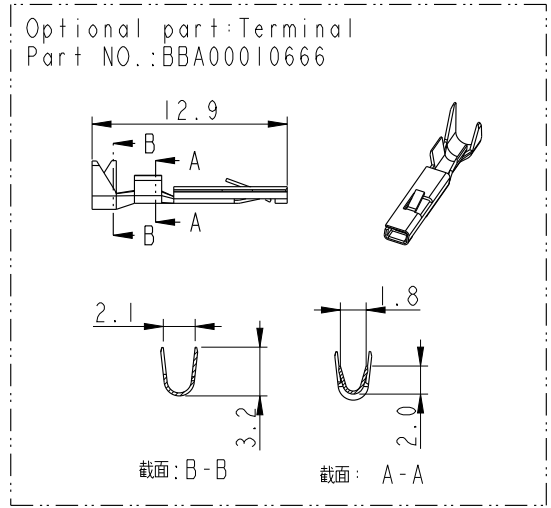
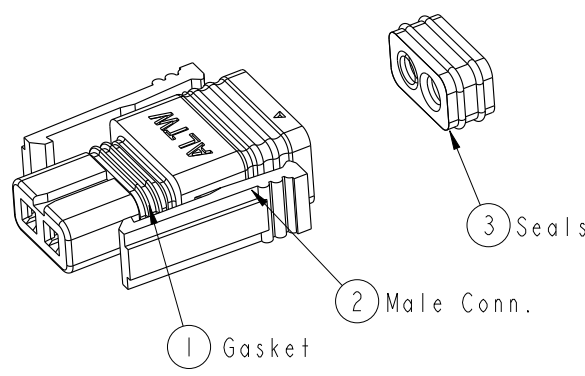
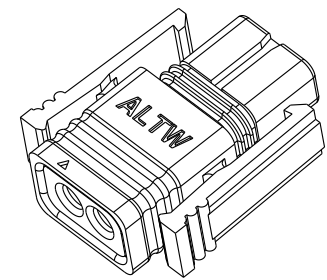
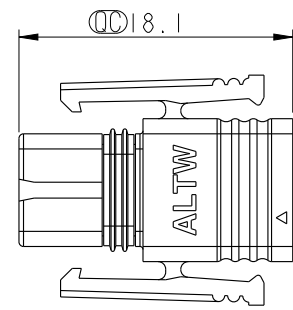
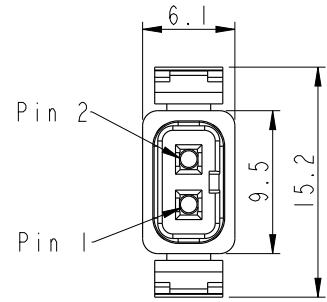


THIS DOCUMENT IS SUBJECT TO CHANGE WITHOUT NOTICE. IT IS CONFIDENTIAL AND A PROPERTY OF AMPHENOL LTW. DISCLOSURE TO THIRD PARTY HAS TO BE AUTHORIZED BY AMPHENOL LTW.


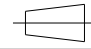
| REV. | ECN NO. | DATE | SIGN | DESCRIPTION |
|------|-----------------|------------|------|-----------------|
| A | Initial Release | 2014/07/31 | Cary | Change To Rev.A |
| | | | | |

ALTW
CONFIDENTIAL
2014-07-31
R&D DEPT.

ALTW
DCC. DEPT.
CONFIDENTIAL
2014.08.12
ISSUED



- Notes:
- * \varnothing Important Dimension To Check.
 - * Waterproof Rate: IP68(mating).
1M Depth Of Water In 24 Hours.
 - * Housing: Thermoplastic, UL94V-0, Natural White.
 - * Gasket: Silicone, Gray.
 - * Seals: Silicone, Gray
 - * Current Rating: 5A maximum.
 - * 適用電子線20AWG~22AWG
 - * Voltage Rating: 250V DC/AV maximum.
 - * Operating Temperature: -40~+105c

UNIT: mm  
TOLERANCE
±0.5mm

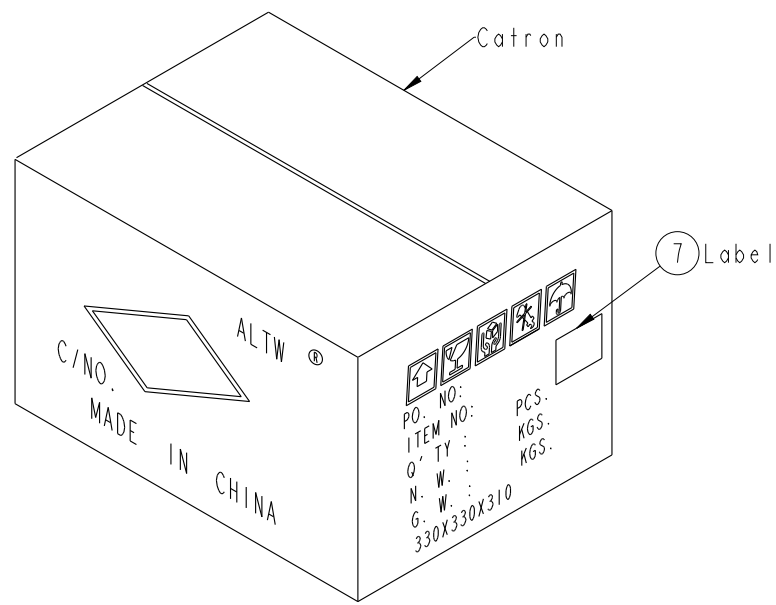
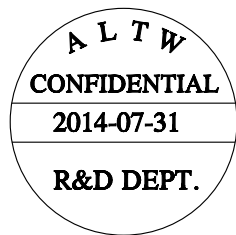
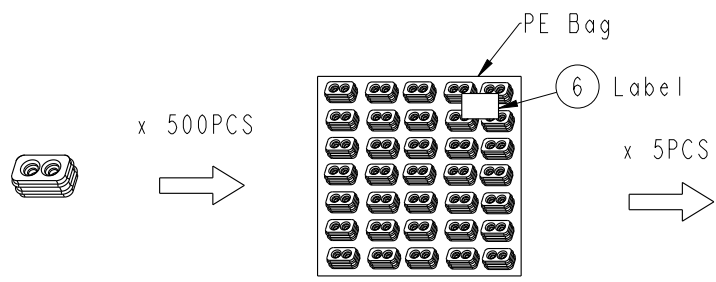
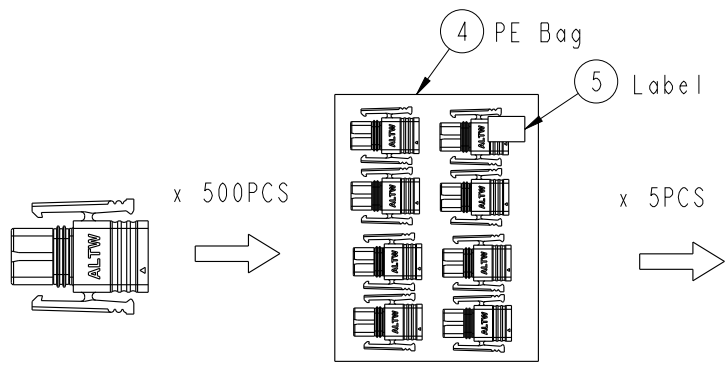
| | | | |
|----------------------------------|----------------|---------------------------------|--|
| TITLE SSL1.2 2P M CONN. ASS'Y | | | |
| SCALE 2:1 | SIZE A4 | SHEET 1 OF 2 | |
| REV. A | WC-REV. A.1 | \varnothing : Inspection item | |

Amphenol LTW
安費諾亮泰企業股份有限公司

| | | |
|--------------------------------|----------------------|--------------------|
| ITEM NO. SSL12-P2FP0-M00001 | DRAWN BY Cary_liu | DATE 2014-07-31 |
| DWG NO. SSL12-P2FP0-M00001 | CHECKED BY Fisher | DATE 2014-07-31 |
| CUSTOMER ALTW | APPROVED BY Jerry | DATE 2014-07-31 |

THIS DOCUMENT IS SUBJECT TO CHANGE WITHOUT NOTICE. IT IS CONFIDENTIAL AND A PROPERTY OF Amphenol LTW. DISCLOSURE TO THIRD PARTY HAS TO BE AUTHORIZED BY Amphenol LTW.

Packing



- QUANTITY
1. 2500Set Per Carton
 2. Net Weight: 2.3Kg/Carton.
 3. Gross Weight: 3.0Kg/Carton.

| | | | | | | | | |
|--------------------------------|--|----------------------------------|----------------|--|-------------------------------|------------------------------|----------------------|--------------------|
| UNIT:mm TOLERANCE ±0.5mm | | TITLE SSL1.2 2P M CONN. ASS'Y | | <h2 style="text-align: center;">Amphenol LTW</h2> <p style="text-align: center;">安費諾亮泰企業股份有限公司</p> | ITEM NO SSL12-P2FP0-M00001 | DRAWN BY Cary | DATE 2014-07-31 | |
| | | SCALE 2:1 | SIZE A4 | | SHEET 2 OF 2 | DWG NO SSL12-P2FP0-M00001 | CHECKED BY Fisher | DATE 2014-07-31 |
| | | REV. A | WC-REV. A.1 | | QC: Inspection item | CUSTOMER ALTW | APPROVED BY Jerry | DATE 2014-07-31 |