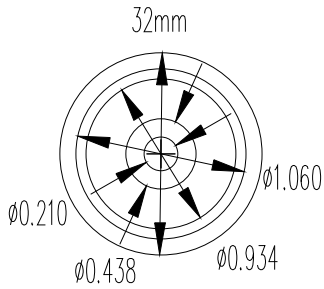
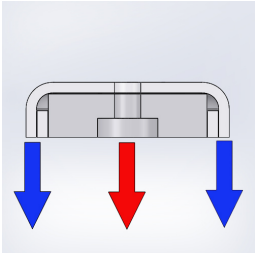
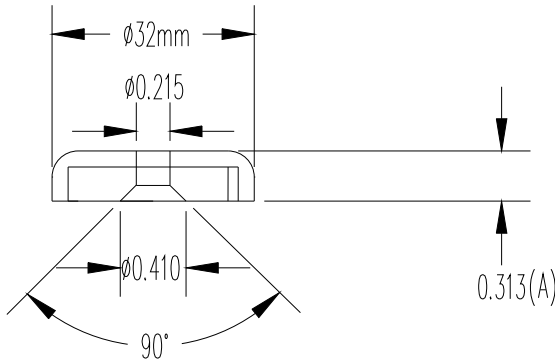
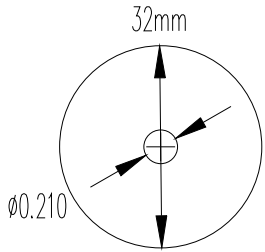


REVISIONS			
LTR	DESCRIPTION	DATE	APPROVED
—	INITIAL RELEASE		H D

TOP VIEW



BOTTOM VIEW

UNLESS OTHERWISE SPECIFIED DIMENSIONS ARE IN INCHES		RADIAL MAGNETS INC.			
		108B NW 20th St. BOCA RATON, FL 33431 (561)392-2103			
TOLERANCES:		SHAPE	STRENGTH	PLATING	SIZE AND DIRECTION OF MAGNETIZATION (A)
FRACTIONS: ± 1/64		POT	N35	NiCuNi	POT A32 ↑
DECIMALS: ± 0.015		SIZE	PART #	DRAWING #	REVISION
ANGLES: ± 1°		A	8220	RM8220	-
MATERIAL:	NdFeB	SCALE 1 : 1	DRAWN: CG	CHECKED: HD	APPROVED: HD
FINISH:	NiCuNi				PAGE 1 OF 1