

THIS DRAWING IS UNPUBLISHED. RELEASED FOR PUBLICATION
 © COPYRIGHT - By - ALL RIGHTS RESERVED.

LOC		DIST		REVISIONS					
G		14		P	LTR	DESCRIPTION	DATE	DWN	APVD
				P3		REVISED PER ECO-11-004820	11MAR11	RK	HMR

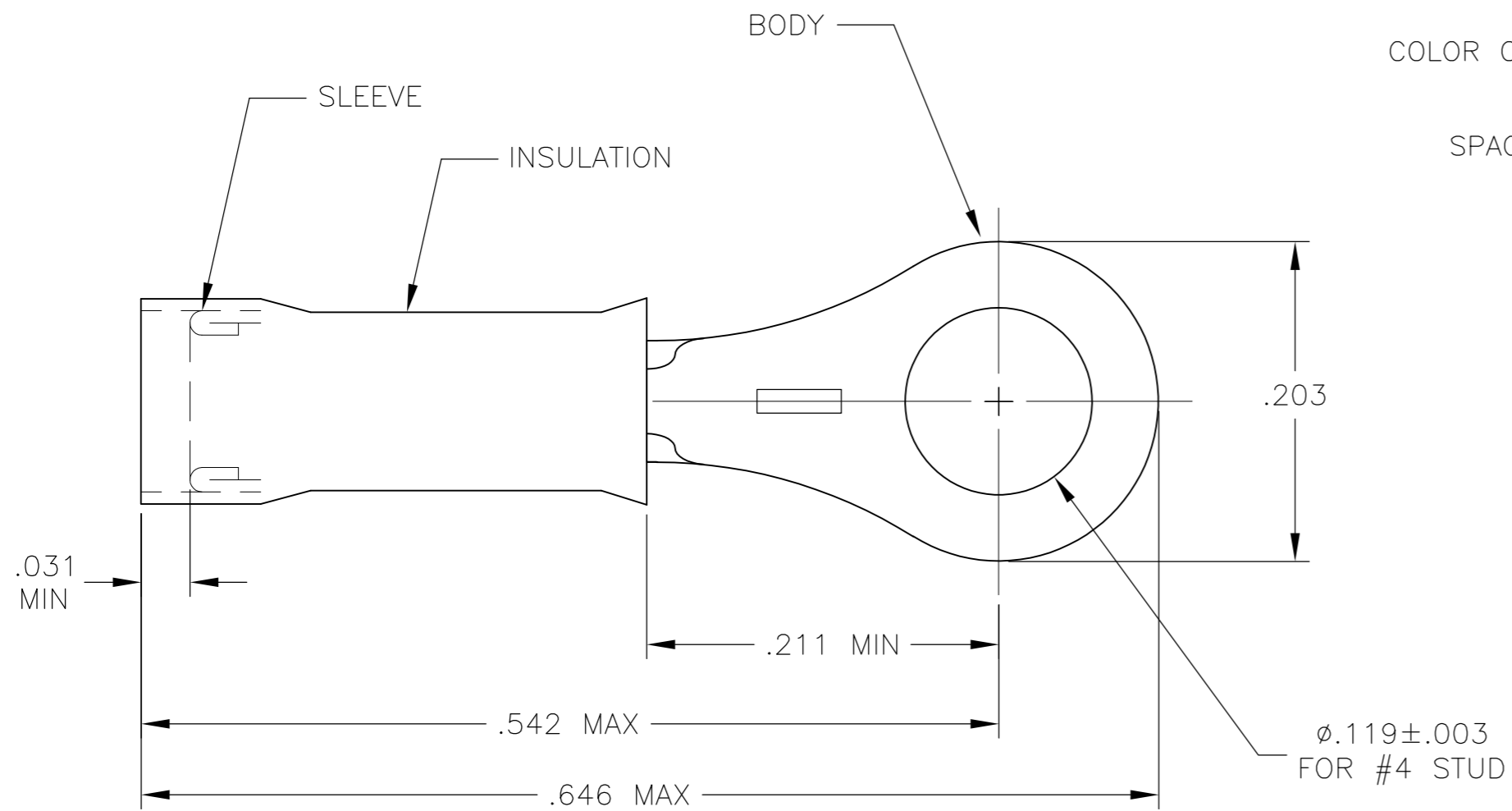


FIGURE 1

FOR .050 TO .082 WIRE INSULATION DIA

COLOR CODE STRIPE
 SEE TABLE
 3 EQUALLY
 SPACED STRIPES

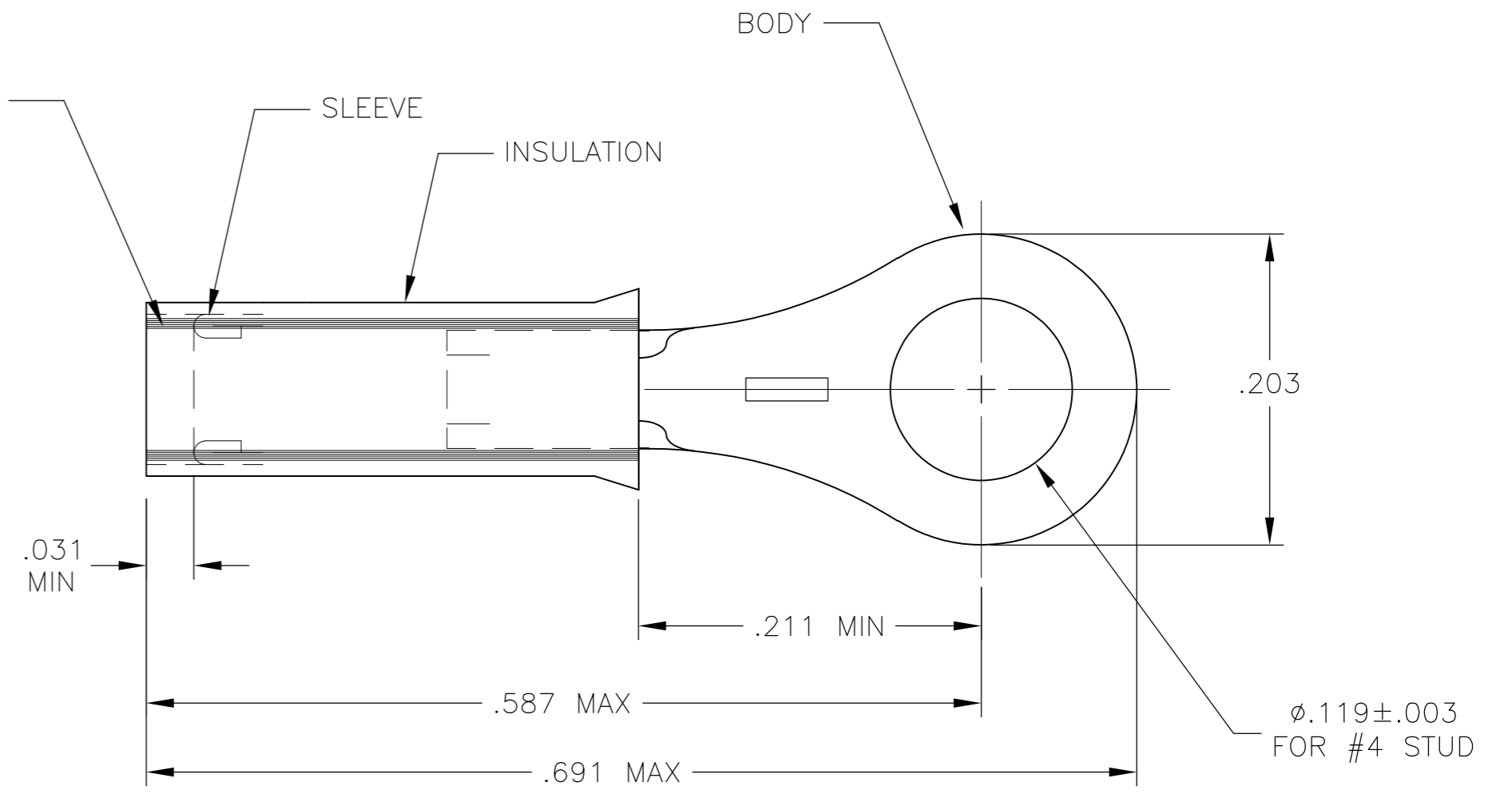


FIGURE 2
 INSULATION RESTRICTING

FOR X/Y WIRE INSULATION DIA

1 TONGUE MATERIAL THK IS .018±.002

2 MEETS MS25036-144, CLASS 2

1	WIRE TERMINAL INSULATION RESTRICTING	BODY: COPPER (ASTM-B152) TIN PL (ASTM-B545) SLEEVE: COPPER (ASTM-B152) NICKEL PL. (QQ-N-290) INSULATION: NYLON COLOR: YELLOW (ASTM-D4066) TYPE 1	2-323914-2
100	LOOSE PC, BOX		8-323914-1
4000	323914 ON TAPE	BODY & SLEEVE: COPPER (ASTM-B152) TIN PL (ASTM-B545)	2-323914-1
1	WIRE TERMINAL	INSULATION: NYLON COLOR: YELLOW (ASTM-D4066) TYPE 1	323914
QTY	DESCRIPTION	MATERIAL & FINISH	PART NO

8-323914-1	FIGURE 1	#26-#22	NONE	-	
2-323914-2	FIGURE 2	#24	BLACK	.031/.055	
323914	FIGURE 1	#26-#22	NONE	-	2-323914-1
PART NO.	STYLE	WIRE SIZE	STRIPE COLOR	"X/Y"	PART NO. ON TAPE

THIS DRAWING IS A CONTROLLED DOCUMENT.

DWN: JR RUTH 02OCT09
 CHK: TOM MICHIELUTTI 02OCT09
 APVD: MIKE PERCHERKE 02OCT09

TE Connectivity

NAME: TERMINAL, NYLON - PIDG - RING TONGUE
 WIRE SIZE: 26-22

SIZE: A2 CAGE CODE: 00779 DRAWING NO: 323914 RESTRICTED TO: -

MATERIAL: SEE TABLE FINISH: SEE TABLE WEIGHT: - SCALE: 10:1 SHEET: 1 of 1 REV: P3

PRODUCT SPEC: - APPLICATION SPEC: -

TOLERANCES UNLESS OTHERWISE SPECIFIED:
 0 PLC ± -
 1 PLC ± -
 2 PLC ± -
 3 PLC ± .008
 4 PLC ± -
 ANGLES ± 5°

CUSTOMER DRAWING